

S-LED
NEKO
LIGHTING AG

Triple S Technology co. ltd.

97 soi Ladprao81 ladprao road, Khlongchusing, Wangthonglang, Bangkok 10310

Tel. 02-539-8791 Fax. 02-539-8792 E-mail : Sale@triple-s.co.th



TRIPLE S
TECHNOLOGY

About Triple S Technology

Established in 2010, Triple S Technology Company Limited has been distributing LED lighting fixtures, innovative architectural materials and interior decorative products in Thailand and neighboring countries.

We have proved to be one of the outstanding and trustful companies in the industry. We have project references in various construction application.

We market our high-quality products focusing on the upper end market including: hotels, residences, restaurants, offices, commercial spaces and displays. Along with our product distribution. We also provide technical and design advisory when needed. Most of our products are specially selected from all over the world including S-LED striplight , NEKO lighting and SELF showcase lighting as well as Stretch Fabric which can be customized to fulfill customer's creative design. With our best effort, we have trained our staffs strictly and continuously to ensure that our customers will be satisfied with our services.

LINEAR PRODUCT

S-LED

Flexible LED Strip	Page 6
Aluminum Profile	Page 14
Profiles 1520	Page 16
Profiles 1616	Page 18
Profiles 1707	Page 20
Profiles 1715	Page 22
Profiles 2006	Page 24
Profiles 2020	Page 26
Profiles 2114	Page 28
Profiles 2216	Page 30
Profiles 2626	Page 32
Profiles 3020	Page 34
Profiles 3535	Page 36
Profiles 5050	Page 38
Profiles 5208	Page 40

Neon Flex	Page 42
-----------	---------

Lighting Decoder

0-10V Interface	Page 50
DALI Interface	Page 52
DMX Interface	Page 54
TRIAC Interface	Page 58

Power Supply Unit	Page 60
-------------------	---------

DOWNLIGHT PRODUCT

NEKO Lighting

Moon	Page 64
Moon Recessed	Page 66
Moon Pendant	Page 68
Adjustable Downlight	Page 70
Fixed Downlight	Page 76
MR16 Downlight	Page 84
Trimless Downlight	Page 88
Wall Washer	Page 94
BO Tracklight	Page 100

SHOWECASE LIGHTING

Display Lighting

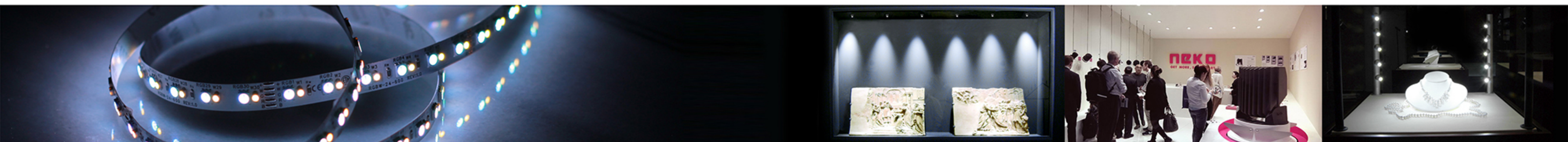
Swot	Page 108
Bambo	Page 110
Aspen	Page 112
Pole	Page 114
Track	Page 116

Jewelry Lighting

Shining	Page 120
Nike	Page 122
Swivel	Page 124

STRETCH FABRIC

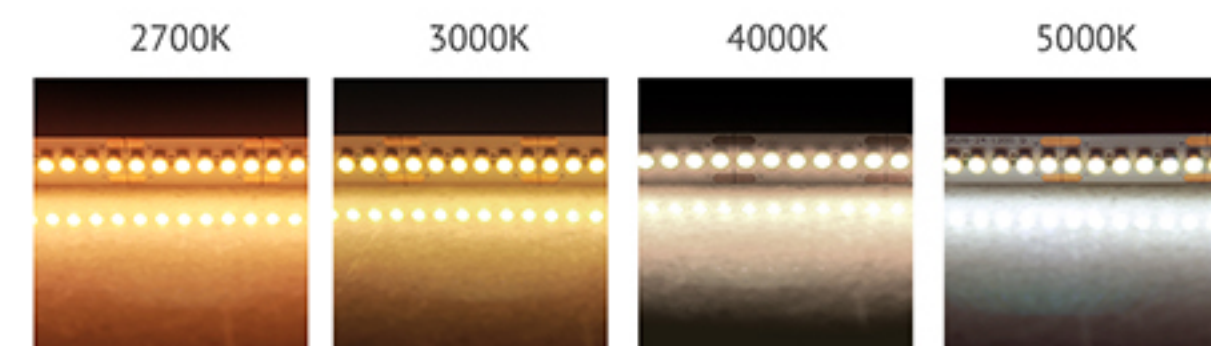
SIRAS Stetch Fabric	Page 126
---------------------	----------



S-LED

Flexible LED Strip Light

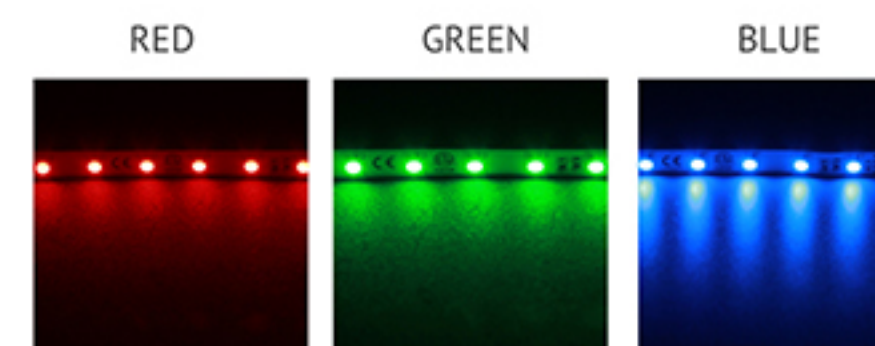
SINGLE COLOR



COLOR TEMPERATURE

WATT OPTIONAL	4.8	9.6	14.4	19.2	20.1	40.3	W/m
LUMINOUS FLUX	360	720	1080	1440	2016	3696	lm/m
BEAM ANGLE	120°						
CRI	80						
LIFETIME	25,000 Hours @ 35 °C						
IP RATING	IP20 or Nano coating for IP68						
OPERATING TEMP	-25 °C to 40 °C						
CONTROL	DMX / 1-10V / DALI / TRIAC						
SUPPLY VOLTAGE	24VDC						

Flexible LED Strip Light RGB COLOR



COLOR

WATT OPTIONAL 8.6 14.4 20.1 W/m

LUMINOUS FLUX 180 300 420 lm/m

BEAM ANGLE 120°

CRI 80

LIFETIME 25,000 Hours @ 35 °C

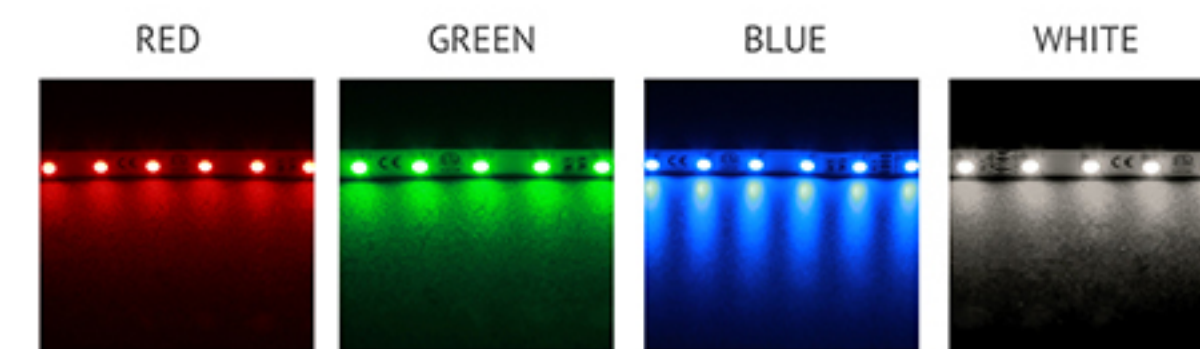
IP RATING IP20 or Nano coating for IP68

OPERATING TEMP -25 °C to 40 °C

CONTROL DMX / DALI

SUPPLY VOLTAGE 24VDC

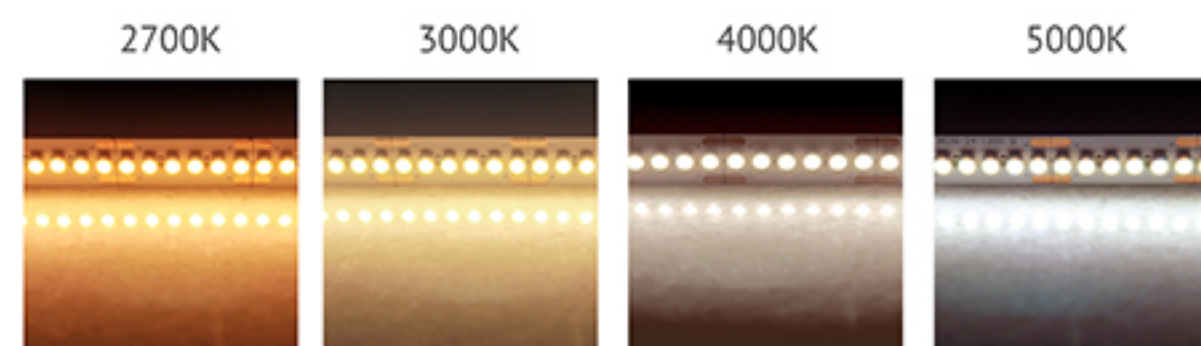
Flexible LED Strip Light RGBW COLOR



COLOR

WATT OPTIONAL	11.5	19.2	W/m
LUMINOUS FLUX	430	720	lm/m
BEAM ANGLE	120°		
CRI	80		
LIFETIME	25,000 Hours @ 35 °C		
IP RATING	IP20 or Nano coating for IP68		
OPERATING TEMP	-25 °C to 40 °C		
CONTROL	DMX / DALI		
SUPPLY VOLTAGE	24VDC		

Flexible LED Strip Light WHITETUNES



COLOR TEMPERATURE

WATT OPTIONAL 19.2 W/m

LUMINOUS FLUX 1440 lm/m

BEAM ANGLE 120°

CRI DMX / 1-10V / DALI

LIFETIME 25,000 Hours @ 35 °C

IP RATING IP20 or Nano coating for IP68

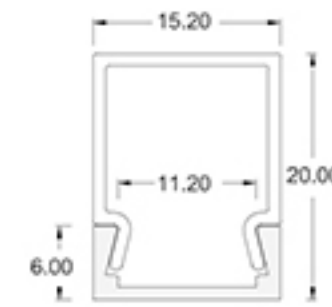
OPERATING TEMP -25 °C to 40 °C

CONTROL DMX / 1-10V / DALI

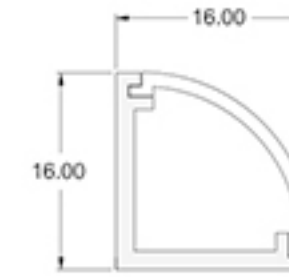
SUPPLY VOLTAGE 24VDC

ALUMINUM PROFILE

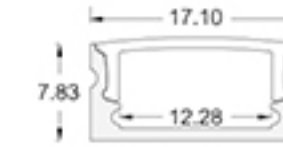
PROFILE SHAPE



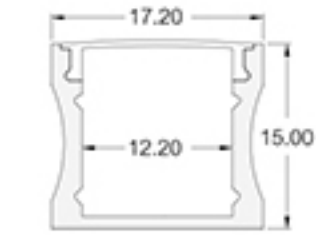
1520



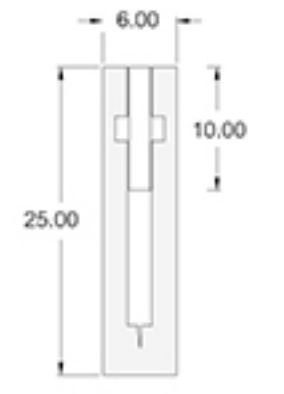
1616



1707



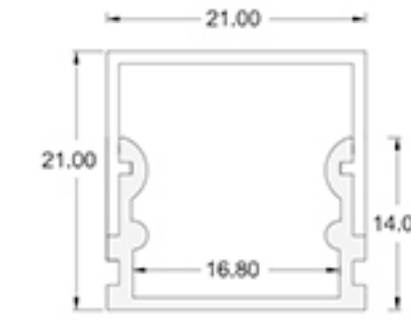
1715



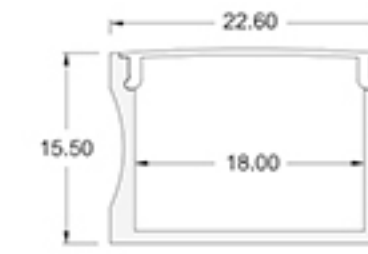
2006



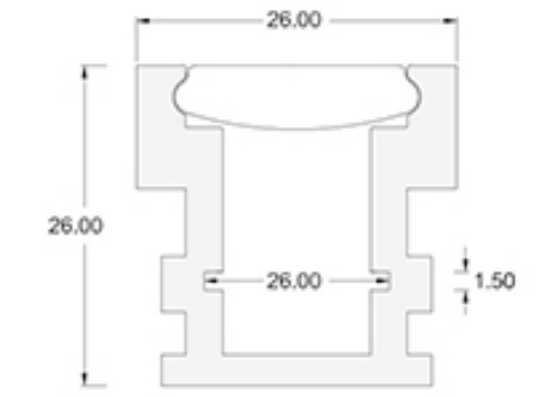
2020



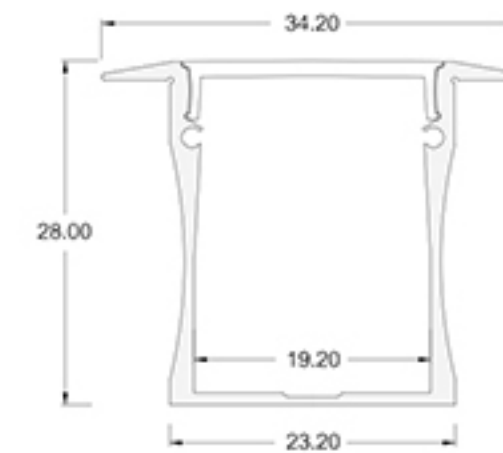
2114



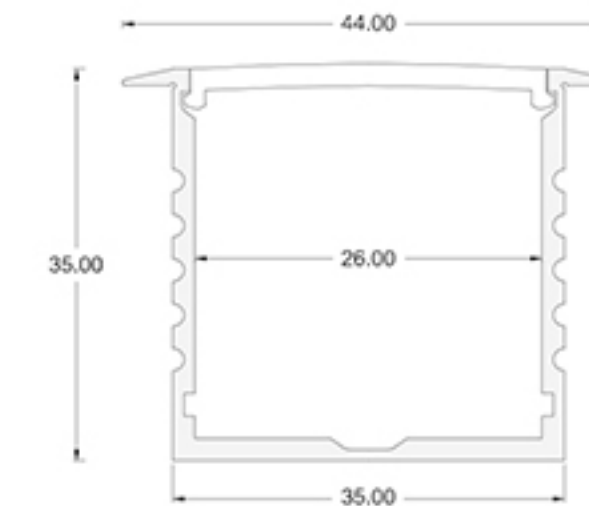
2216



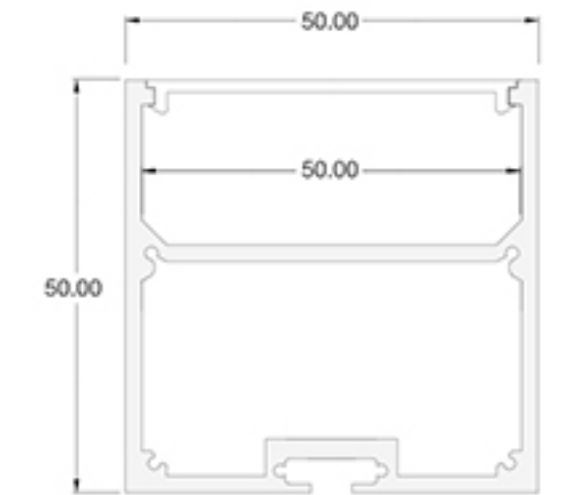
2626



3020



3535B

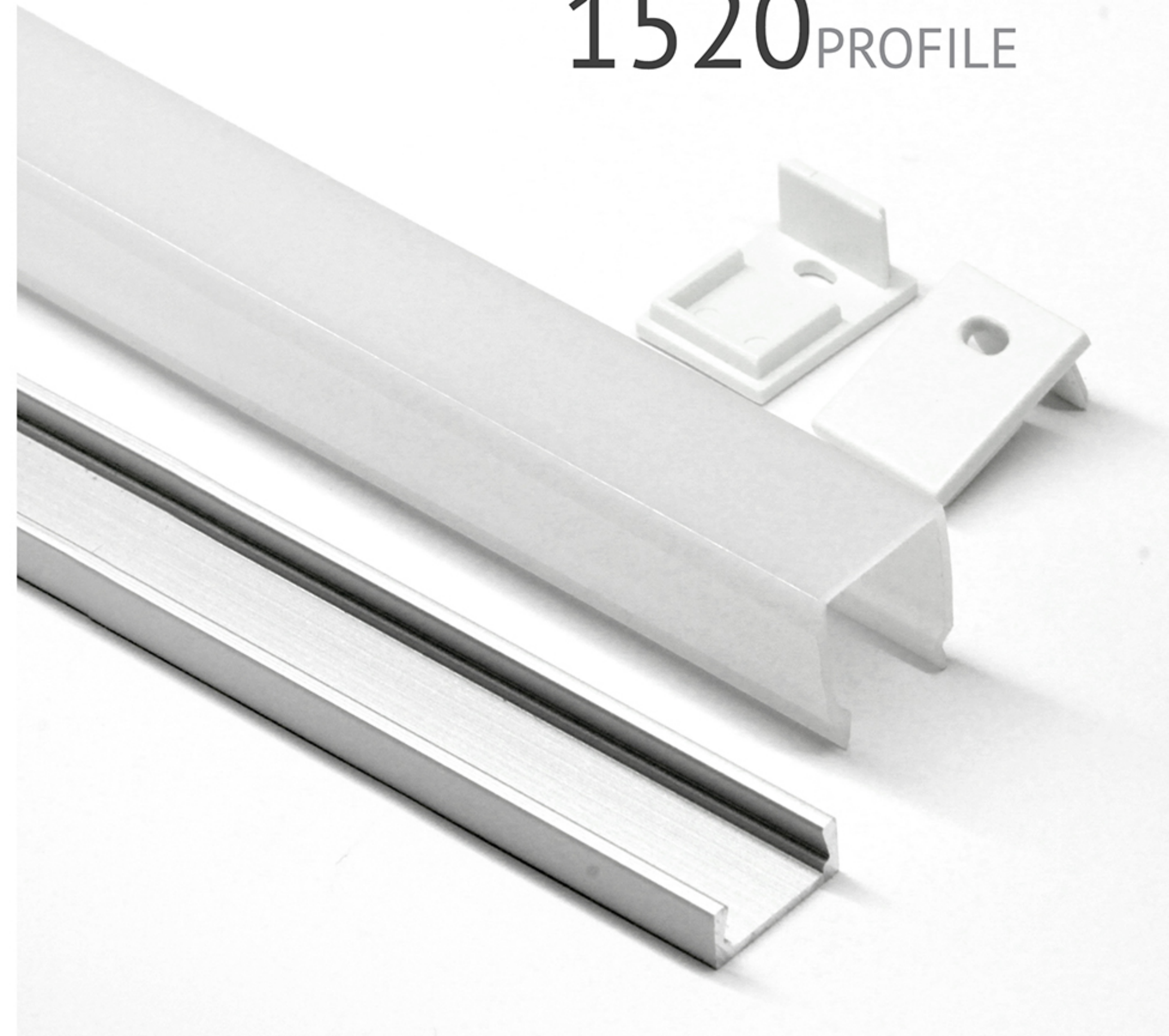


5050



5208



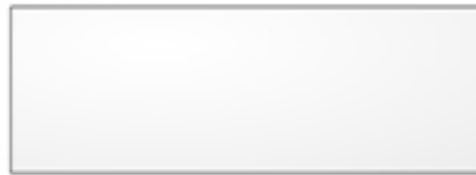
1520 PROFILE



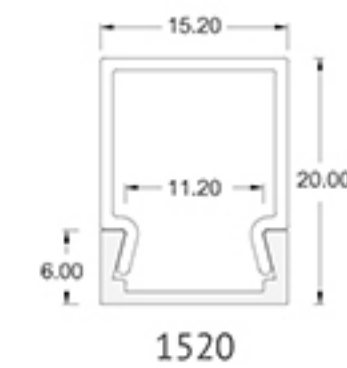
PRODUCT CODE 1520

DIMENSION 15.2mm. X 20mm

COLOR

Aluminum	Black	White
		

COVER SHAPE



COVER TYPE

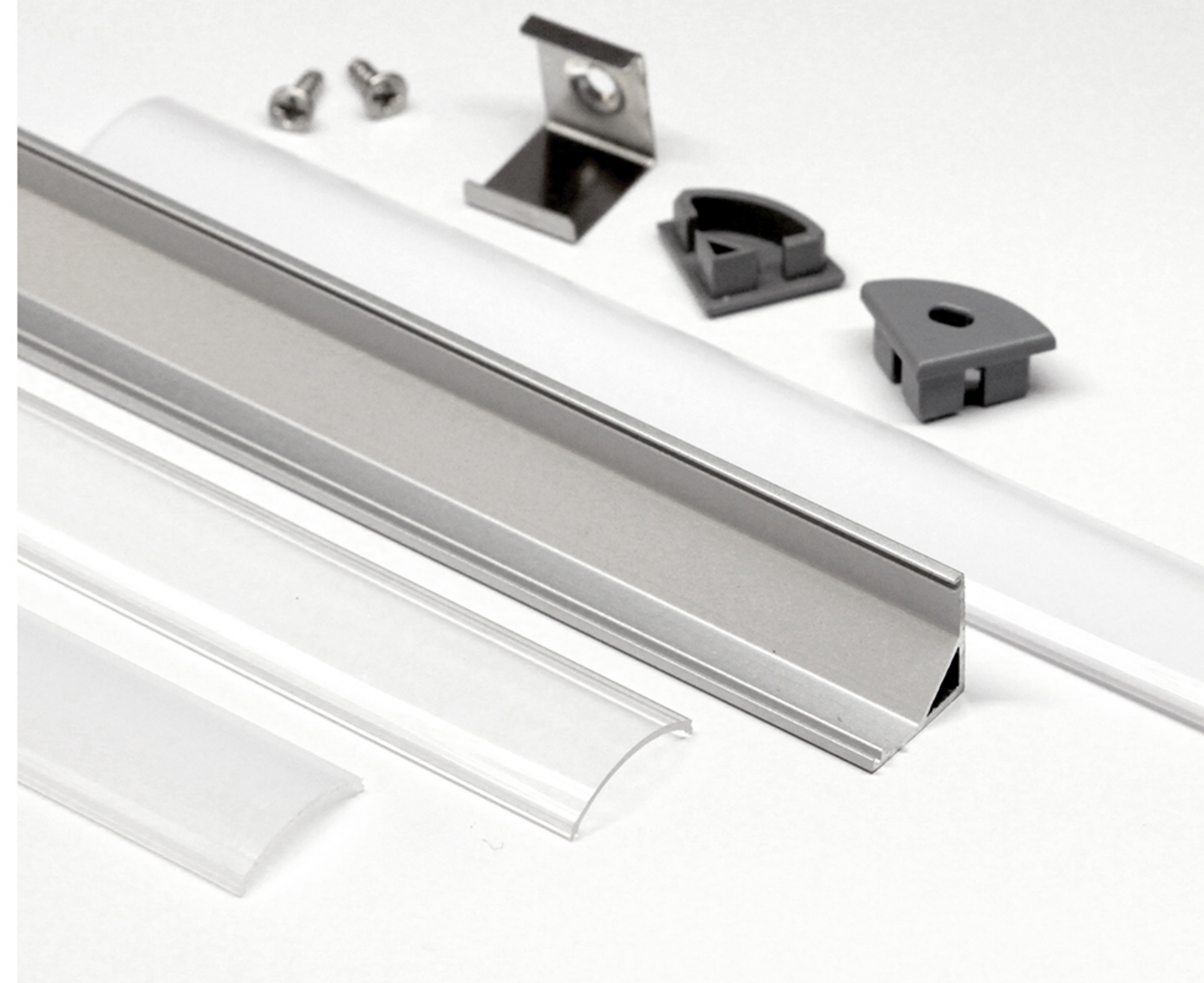


	SINGLE COLOR	RGB	RGBW	WHITETUNE
LED STRIP 4.8W/m		LED STRIP 8.6W/m	LED STRIP 11.5W/m	LED STRIP 19.2W/m
LED STRIP 9.6W/m		LED STRIP 14.4W/m	LED STRIP 19.2W/m	
LED STRIP 14.4W/m		LED STRIP 20.1W/m		
LED STRIP 19.2W/m				

RECOMMENDED FOR



1616 PROFILE



PRODUCT CODE 1616

DIMENSION 16mm. X 16mm.

COLOR

Aluminum	Black	White
----------	-------	-------

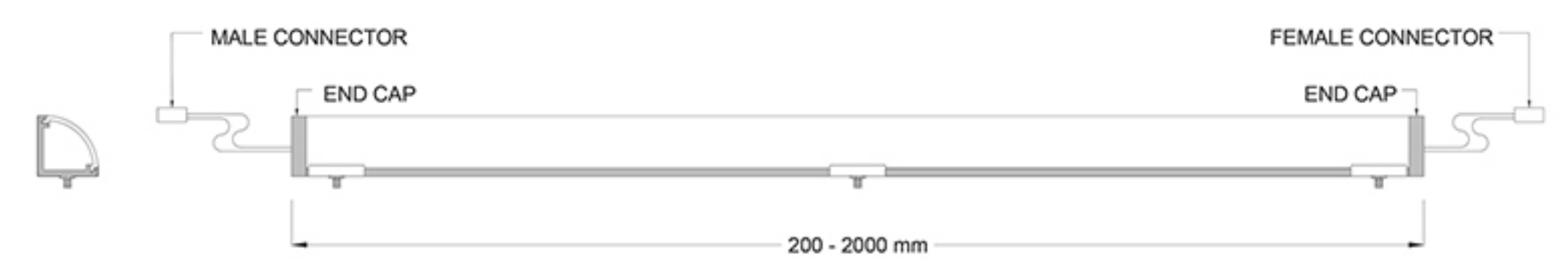
COVER SHAPE

1616	1616B

COVER TYPE

Clear	Diffused	Opal

	SINGLE COLOR	RGB	RGBW	WHITETUNE
RECOMMENDED FOR	LED STRIP 4.8W/m	LED STRIP 8.6W/m	LED STRIP 11.5W/m	LED STRIP 19.2W/m
	LED STRIP 9.6W/m	LED STRIP 14.4W/m	LED STRIP 19.2W/m	
	LED STRIP 14.4W/m	LED STRIP 20.1W/m		
	LED STRIP 19.2W/m			



1707 PROFILE



PRODUCT CODE 1707

DIMENSION 17.1mm. X 7.83mm.

COLOR

Aluminum	Black	White
----------	-------	-------



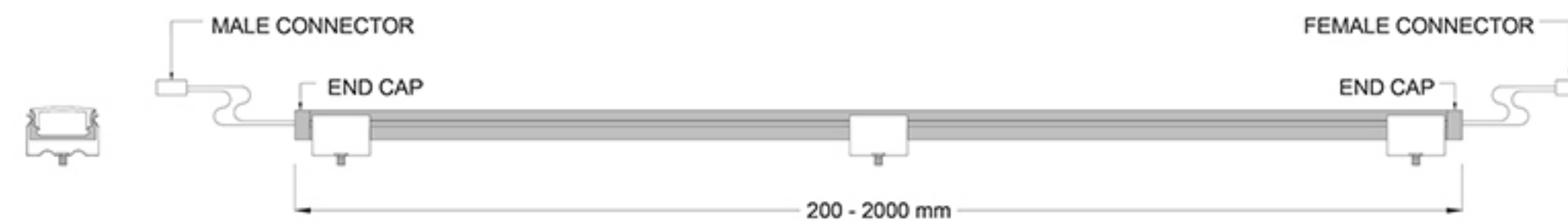
COVER SHAPE 1707

COVER TYPE

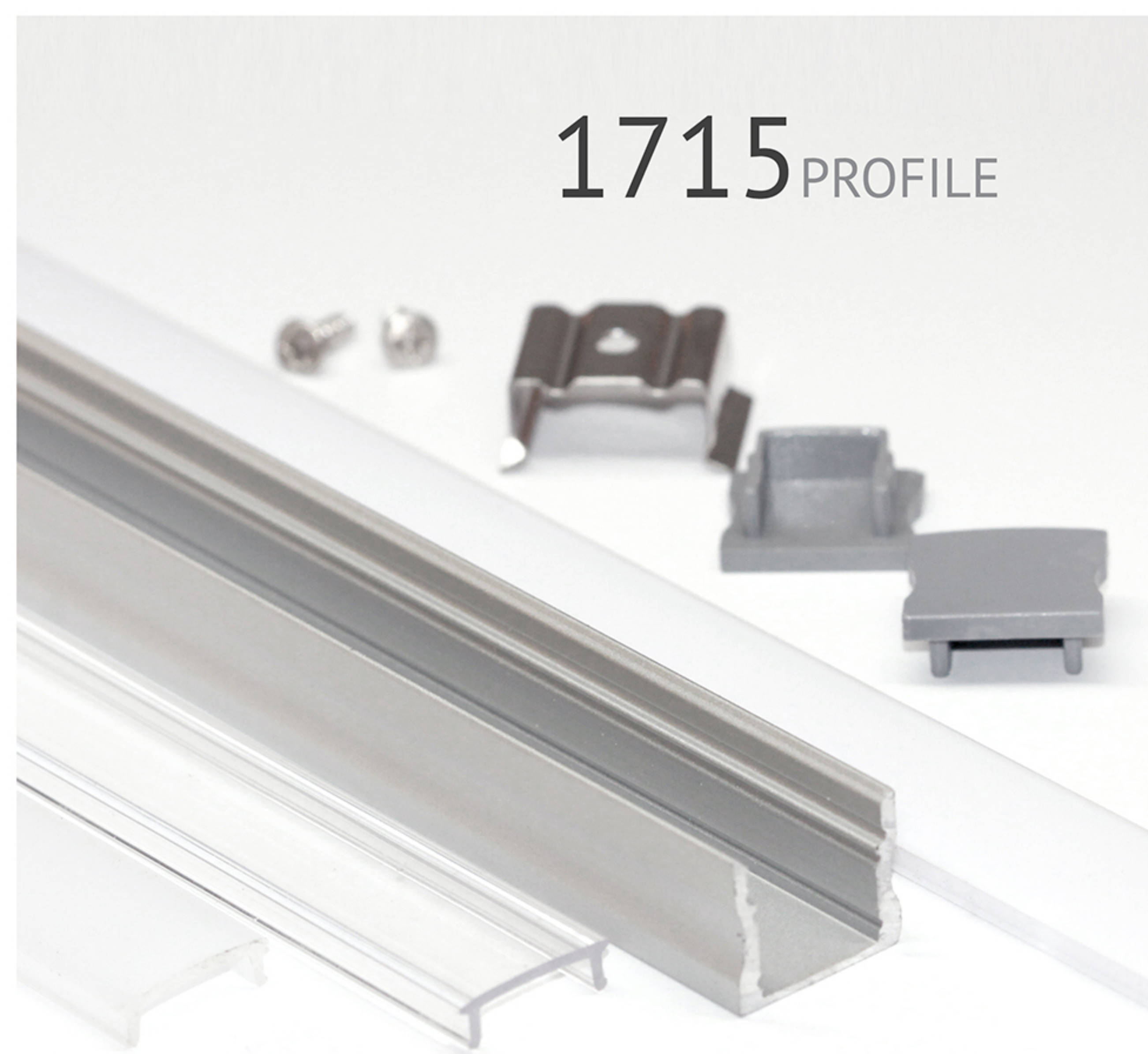
		
Clear	Diffused	Opal

SINGLE COLOR	RGB	RGBW	WHITETUNE
LED STRIP 4.8W/m	LED STRIP 8.6W/m	LED STRIP 11.5W/m	LED STRIP 19.2W/m
LED STRIP 9.6W/m	LED STRIP 14.4W/m	LED STRIP 19.2W/m	
LED STRIP 14.4W/m	LED STRIP 20.1W/m		
LED STRIP 19.2W/m			

RECOMMENDED FOR



1715 PROFILE



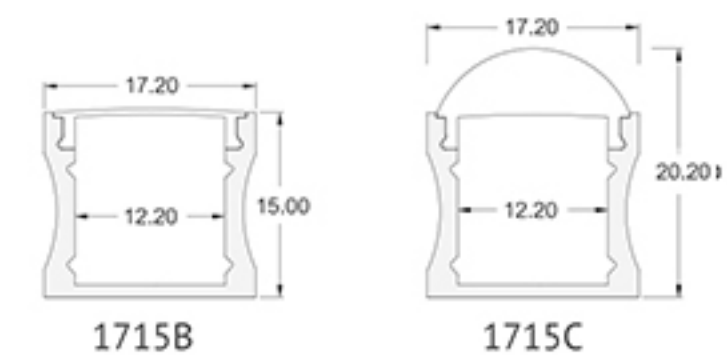
PRODUCT CODE 1715

DIMENSION 17.20mm. X 15mm.

COLOR

Aluminum	Black	White
----------	-------	-------

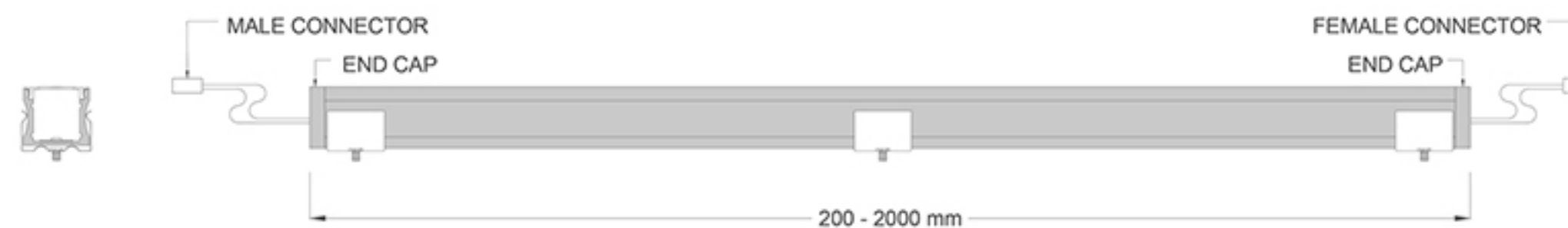
COVER SHAPE



COVER TYPE



	SINGLE COLOR	RGB	RGBW	WHITETUNE
RECOMMENDED FOR	LED STRIP 4.8W/m	LED STRIP 8.6W/m	LED STRIP 11.5W/m	LED STRIP 19.2W/m
	LED STRIP 9.6W/m	LED STRIP 14.4W/m	LED STRIP 19.2W/m	
	LED STRIP 14.4W/m	LED STRIP 20.1W/m		
	LED STRIP 19.2W/m			



2006 PROFILE

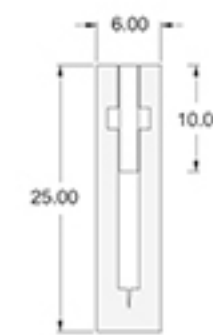


PRODUCT CODE 2006

DIMENSION 25mm. X 6mm.

COLOR

Aluminum	Black	White
----------	-------	-------



COVER SHAPE 2006



COVER TYPE Diffused

RECOMMENDED FOR SINGLE COLOR [R / G / B / W / WW]
LED EDGE LIT 9.6W/m



2020 PROFILE



PRODUCT CODE

2020

DIMENSION

20mm. X 20mm.

COLOR

Aluminum

Black

White



COVER SHAPE



COVER TYPE



SINGLE COLOR

RGB

RGBW

WHITETUNE

LED STRIP 4.8W/m

LED STRIP 8.6W/m

LED STRIP 11.5W/m

LED STRIP 19.2W/m

LED STRIP 9.6W/m

LED STRIP 14.4W/m

LED STRIP 19.2W/m

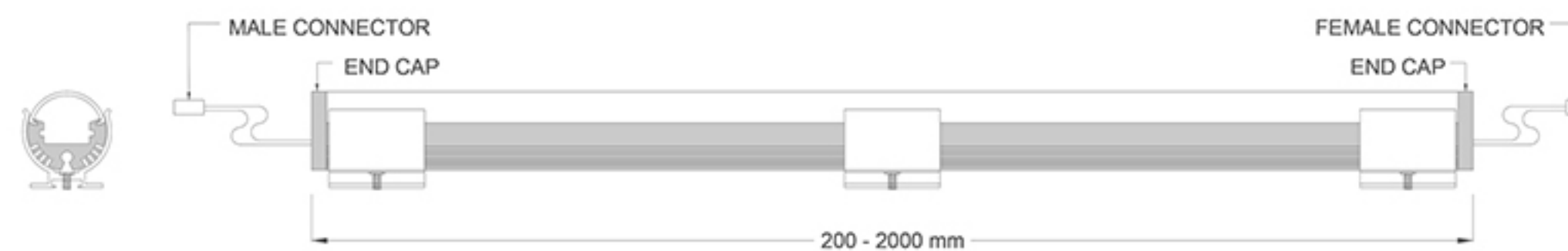
LED STRIP 14.4W/m

LED STRIP 20.1W/m

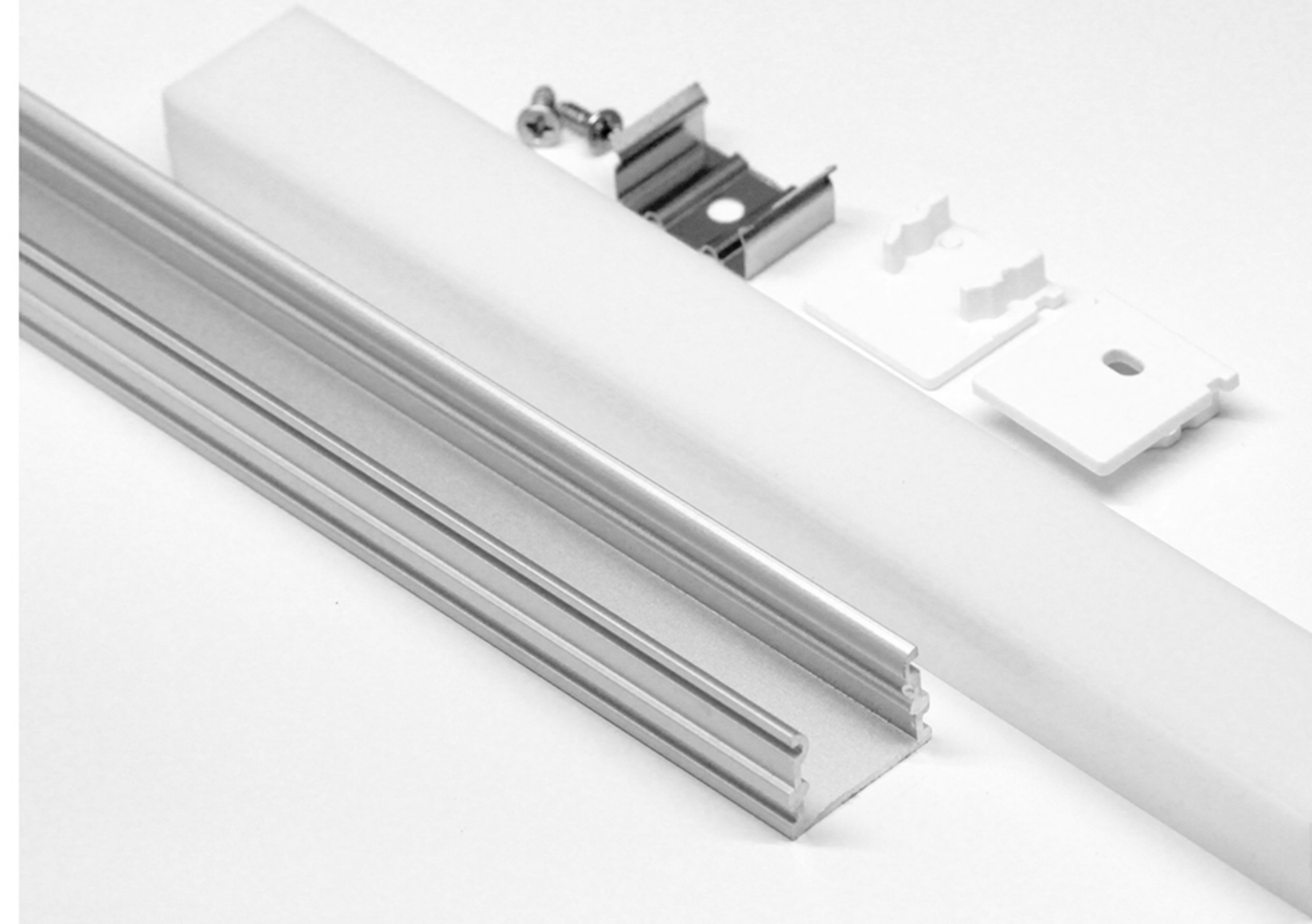
LED STRIP 19.2W/m

RECOMMENDED FOR

LED STRIP 20.1W/m



2114 PROFILE



PRODUCT CODE 2114

DIMENSION 21mm. X 14mm.

COLOR

Aluminum	Black	White
----------	-------	-------

COVER SHAPE

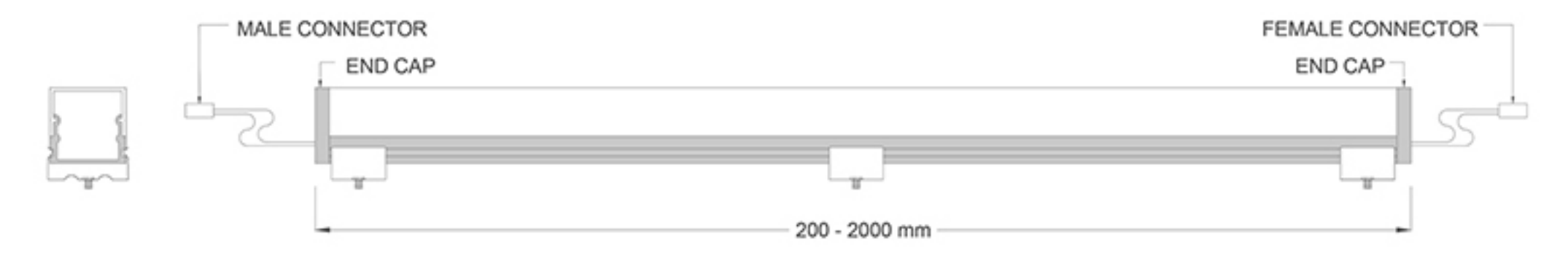
<p>2114</p>	<p>2114B</p>
-------------	--------------

COVER TYPE

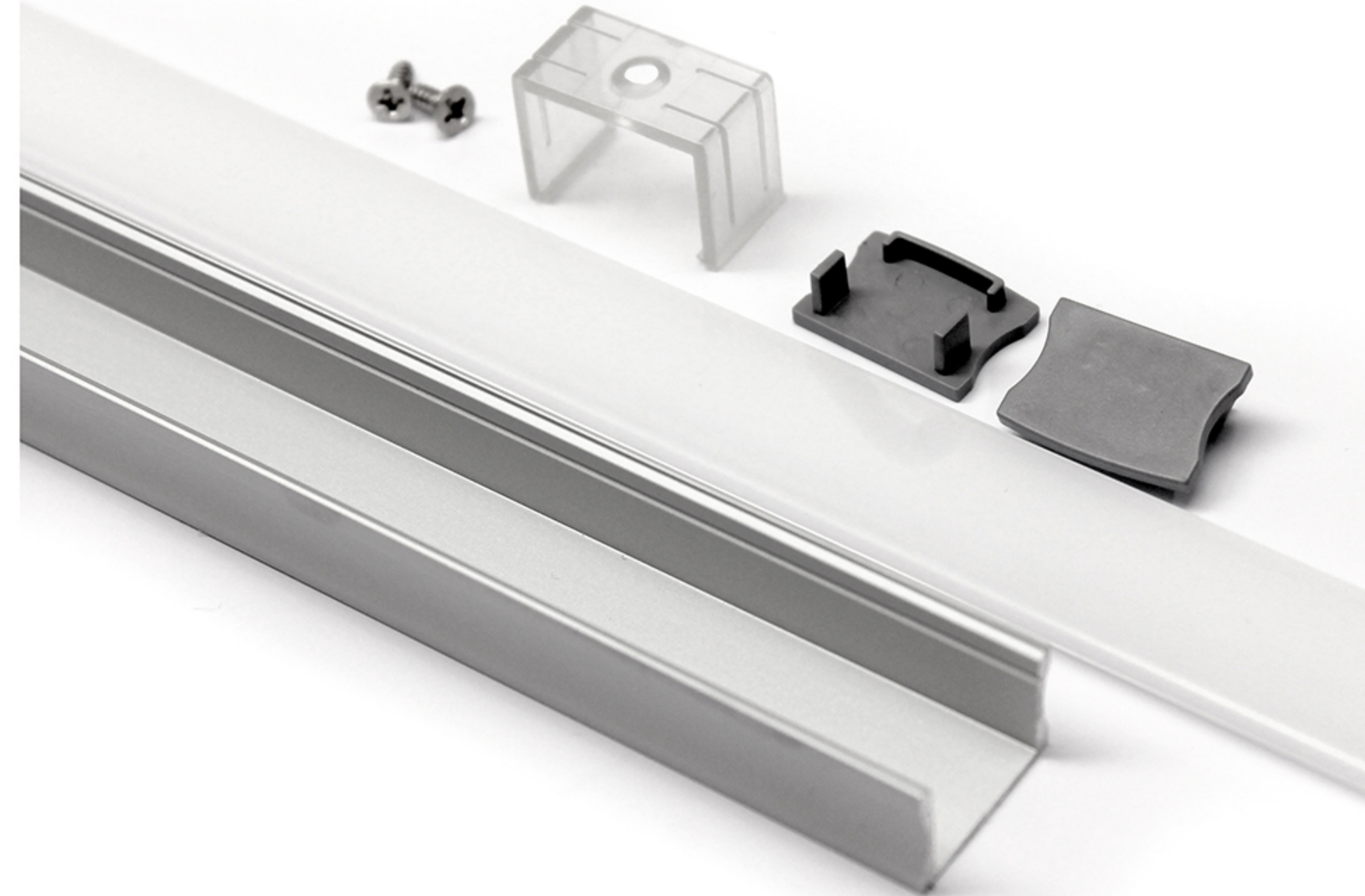
<p>Clear</p>	<p>Diffused</p>	<p>Opal</p>
--------------	-----------------	-------------

	SINGLE COLOR	RGB	RGBW	WHITETUNE
LED STRIP 4.8W/m		LED STRIP 8.6W/m	LED STRIP 11.5W/m	LED STRIP 19.2W/m
LED STRIP 9.6W/m		LED STRIP 14.4W/m	LED STRIP 19.2W/m	
LED STRIP 14.4W/m		LED STRIP 20.1W/m		
LED STRIP 19.2W/m				

RECOMMENDED FOR



2216 PROFILE



PRODUCT CODE

2216

DIMENSION

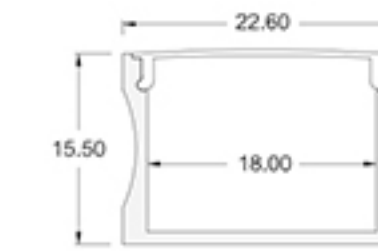
22.6mm. X 15.5mm.

COLOR

Aluminum

Black

White



COVER SHAPE

2216

COVER TYPE



Clear



Diffused



Opal

SINGLE COLOR

RGB

RGBW

WHITETUNE

LED STRIP 4.8W/m

LED STRIP 8.6W/m

LED STRIP 11.5W/m

LED STRIP 19.2W/m

LED STRIP 9.6W/m

LED STRIP 14.4W/m

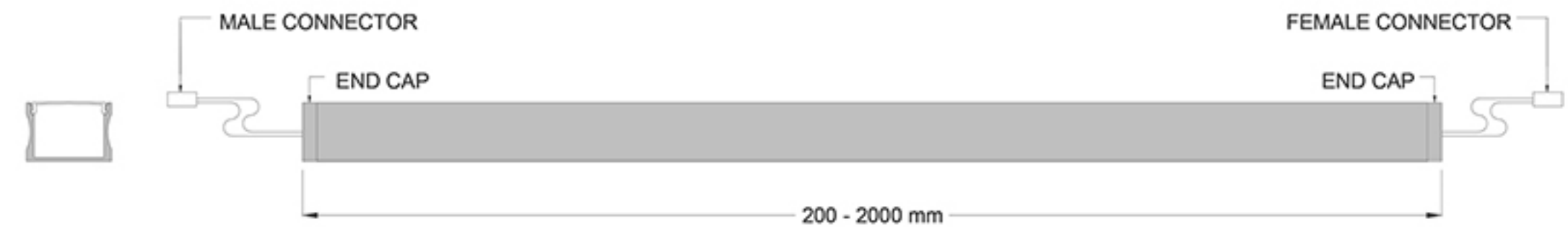
LED STRIP 19.2W/m

LED STRIP 14.4W/m

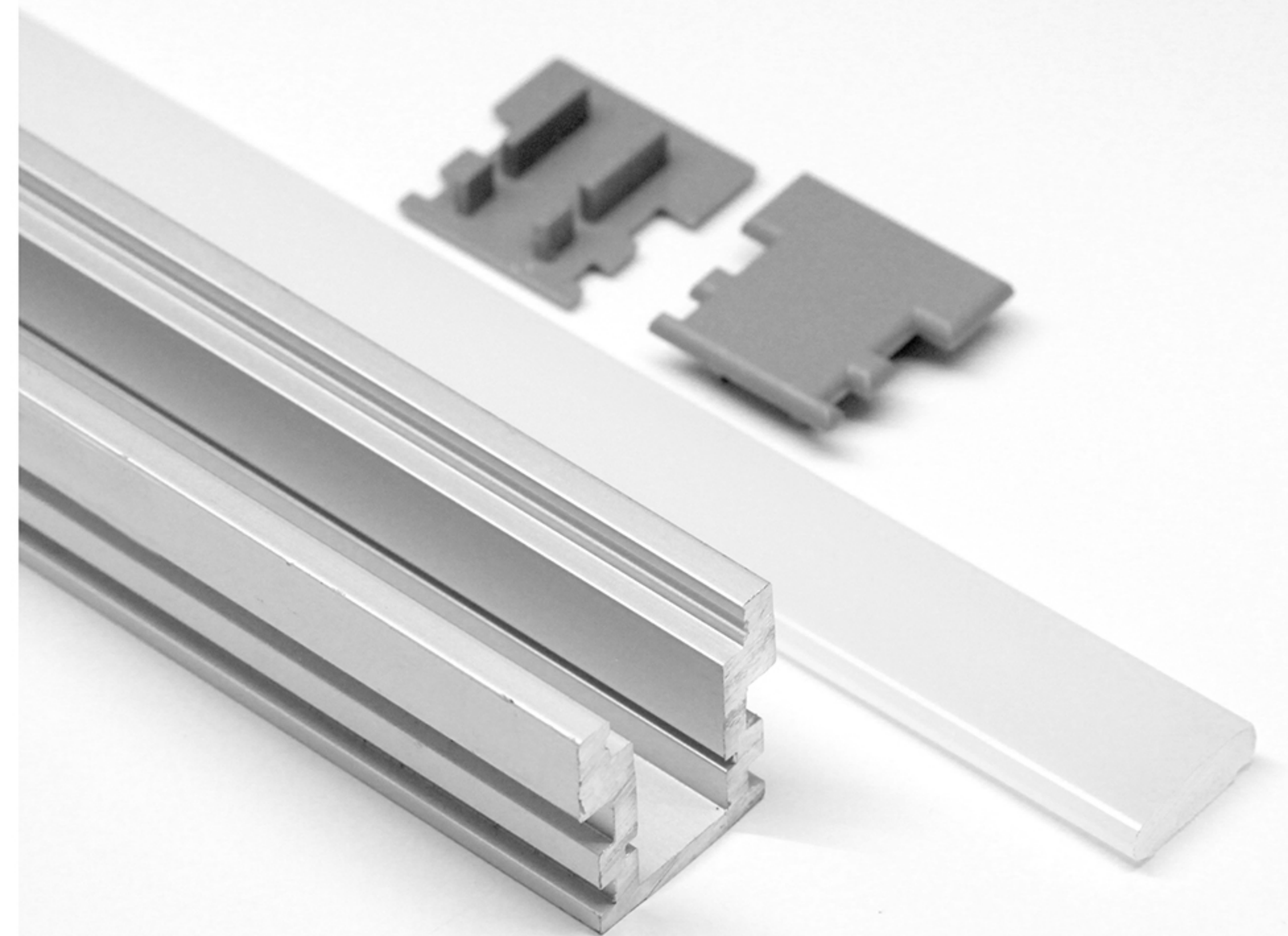
LED STRIP 20.1W/m

RECOMMENDED FOR

LED STRIP 19.2W/m






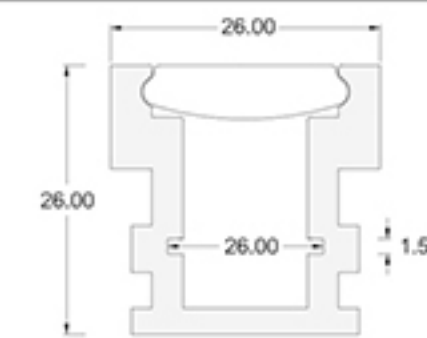
2626 PROFILE



PRODUCT CODE 2626

DIMENSION 26mm. X 26mm.

COLOR	Aluminum	Black	White
			

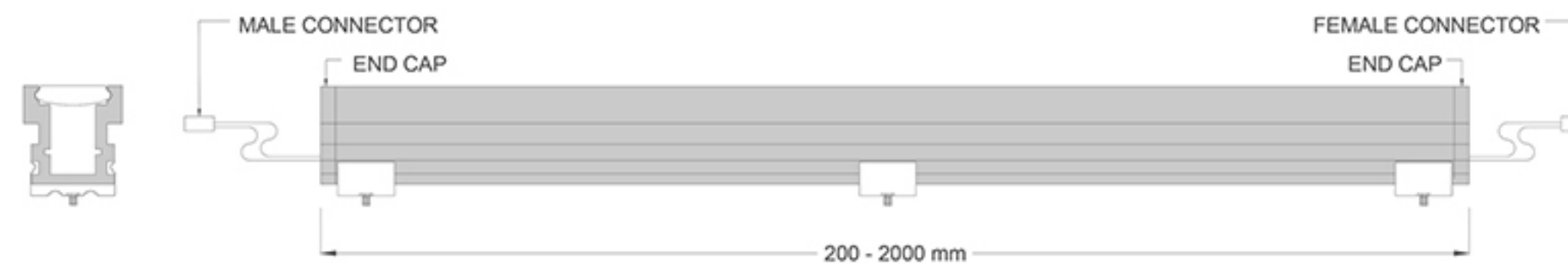


COVER SHAPE 2626

COVER TYPE			
	Clear	Diffused	Opal

	SINGLE COLOR	RGB	RGBW	WHITETUNE
LED STRIP 4.8W/m		LED STRIP 8.6W/m	LED STRIP 11.5W/m	LED STRIP 19.2W/m
LED STRIP 9.6W/m		LED STRIP 14.4W/m	LED STRIP 19.2W/m	
LED STRIP 14.4W/m		LED STRIP 20.1W/m		
LED STRIP 19.2W/m				

RECOMMENDED FOR



3020 PROFILE



PRODUCT CODE 3020

DIMENSION 23.2mm. X 28mm.

COLOR

Aluminum	Black	White
----------	-------	-------

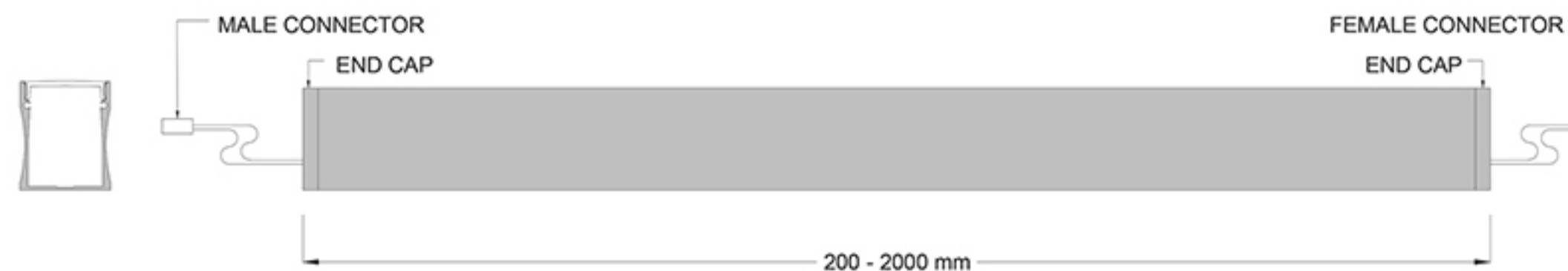
COVER SHAPE

COVER TYPE

Clear	Diffused	Opal

SINGLE COLOR	RGB	RGBW	WHITETUNE
LED STRIP 4.8W/m	LED STRIP 8.6W/m	LED STRIP 11.5W/m	LED STRIP 19.2W/m
LED STRIP 9.6W/m	LED STRIP 14.4W/m	LED STRIP 19.2W/m	
LED STRIP 14.4W/m	LED STRIP 20.1W/m		
LED STRIP 19.2W/m			

RECOMMENDED FOR



3535 PROFILE



PRODUCT CODE

3535

DIMENSION

35mm. X 35mm.

COLOR

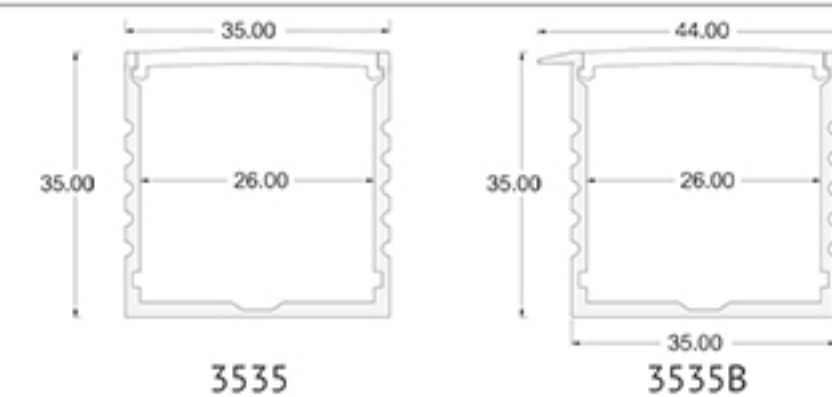
Aluminum

Black

White



COVER SHAPE



3535

3535B

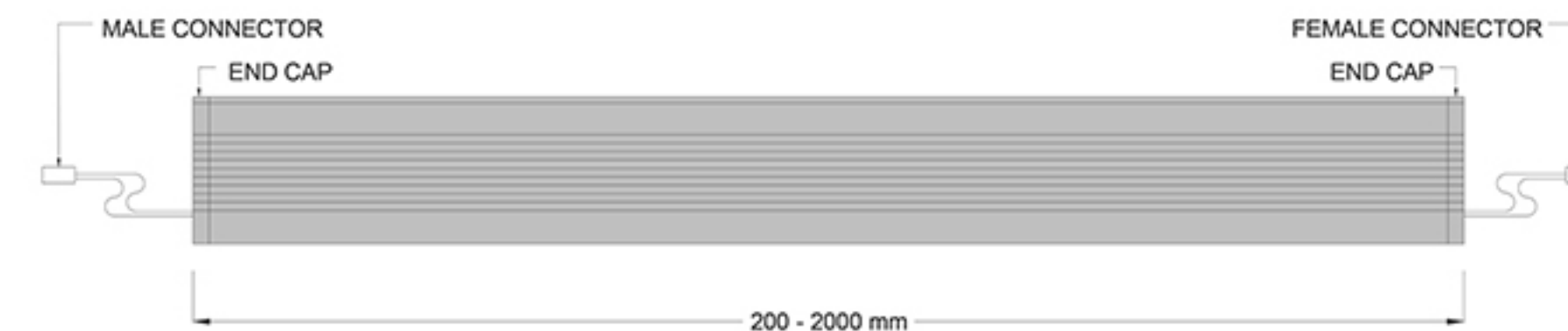
COVER TYPE



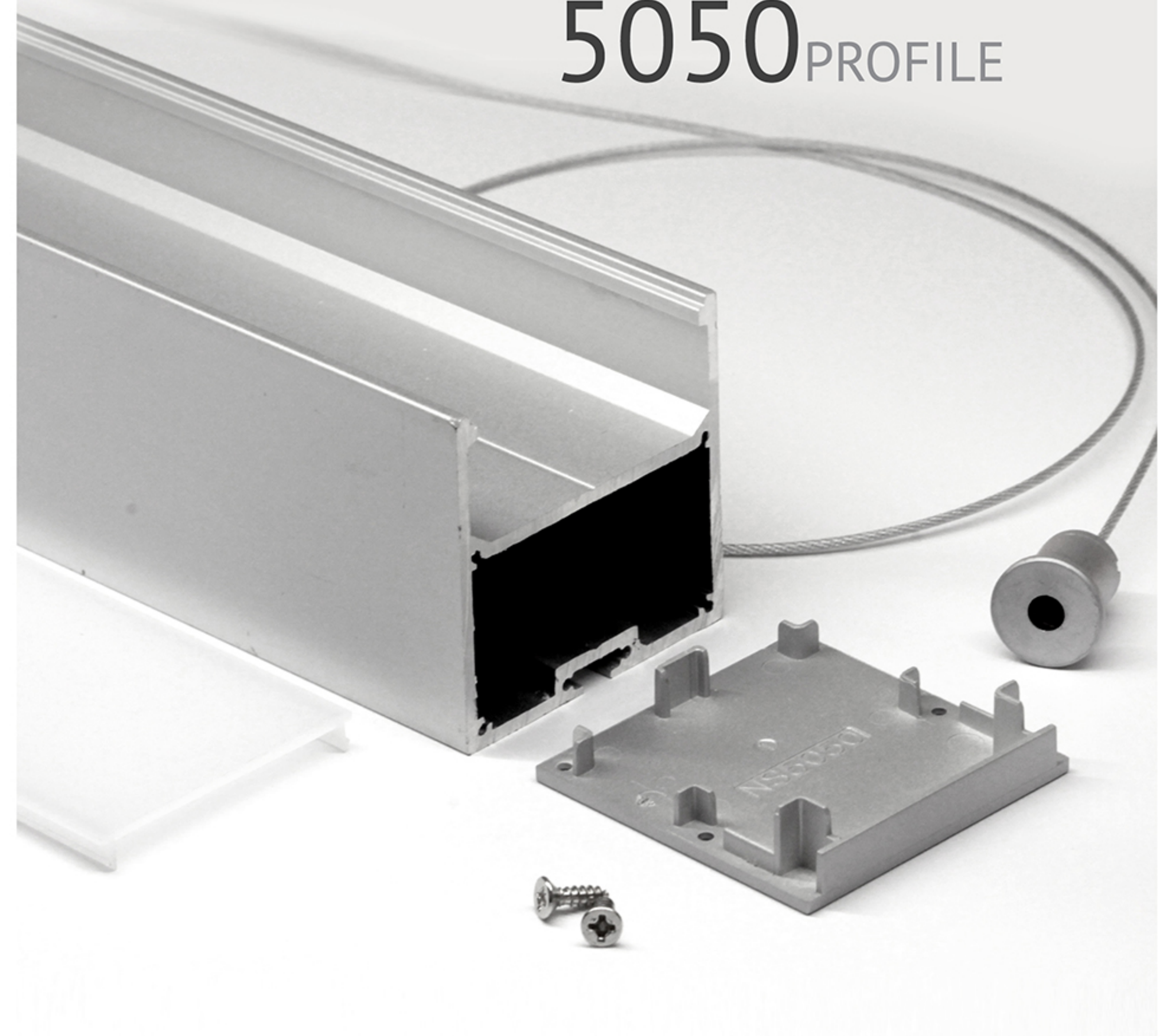
Diffused

RECOMMENDED FOR

SINGLE COLOR	RGB	RGBW	WHITETUNE
LED STRIP 14.4W/m	LED STRIP 8.6W/m	LED STRIP 11.5W/m	LED STRIP 19.2W/m
LED STRIP 19.2W/m	LED STRIP 14.4W/m	LED STRIP 19.2W/m	
LED STRIP 20.1W/m	LED STRIP 20.1W/m		
LED STRIP 40.3W/m			



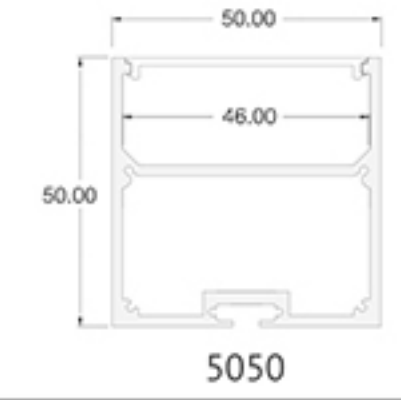
5050 PROFILE



PRODUCT CODE 5050

DIMENSION 50mm. X 50mm.

COLOR Aluminum Black White



COVER SHAPE 5050



COVER TYPE Diffused

	SINGLE COLOR	RGB	RGBW	WHITETUNE
	LED STRIP 14.4W/m	LED STRIP 8.6W/m	LED STRIP 11.5W/m	LED STRIP 19.2W/m
	LED STRIP 19.2W/m	LED STRIP 14.4W/m	LED STRIP 19.2W/m	
	LED STRIP 20.1W/m	LED STRIP 20.1W/m		
RECOMMENDED FOR	LED STRIP 40.3W/m			



5208 PROFILE



PRODUCT CODE	5208		
DIMENSION	52.3mm. X 8.1mm.		
COLOR	Aluminum	Black	White



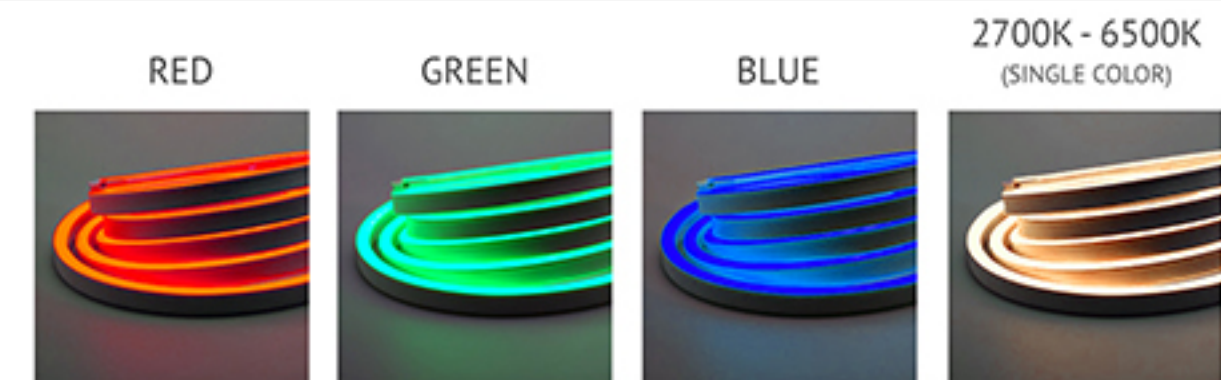
COVER SHAPE	5208
-------------	------

COVER TYPE	Clear	Diffused	Opal
------------	-------	----------	------

	SINGLE COLOR	RGB	RGBW	WHITETUNE
RECOMMENDED FOR	LED STRIP 4.8W/m	LED STRIP 8.6W/m	LED STRIP 11.5W/m	LED STRIP 19.2W/m
	LED STRIP 9.6W/m	LED STRIP 14.4W/m	LED STRIP 19.2W/m	
	LED STRIP 14.4W/m	LED STRIP 20.1W/m		
	LED STRIP 19.2W/m			



Bending IP68 LED Strip Light TOPVIEW NEON FLEX

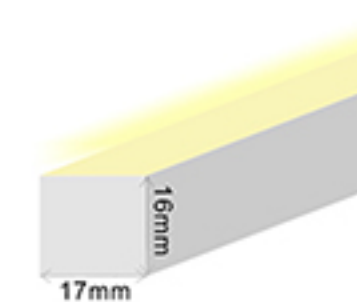


COLOR TEMPERATURE

WATT OPTIONAL 12 W/m

LUMINOUS FLUX 350 lm/m

F16A



LIGHT SIDE

MAX LENGTH 10 m

IP RATING IP68

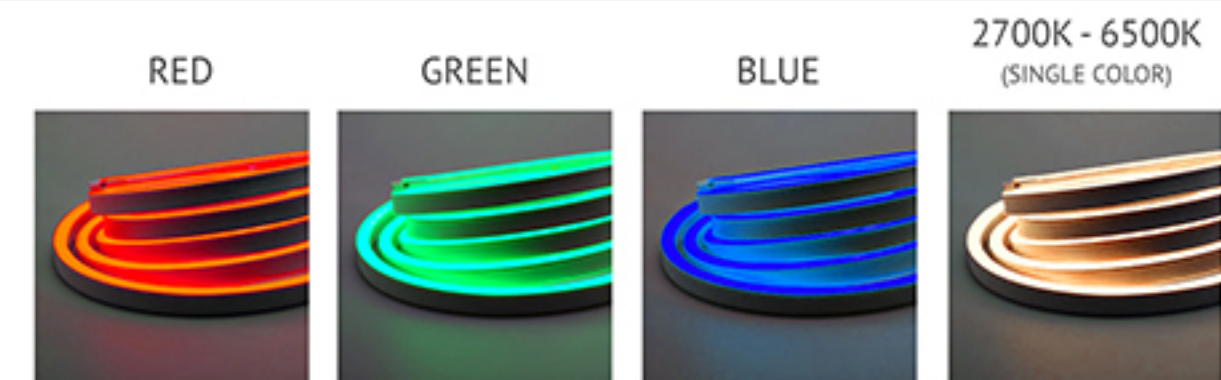
OPERATING TEMP -30 °C to 45 °C

CONTROL (for RGB Color) DMX

CONTROL (for Single Color) DMX / 1-10V

SUPPLY VOLTAGE 24VDC

Bending IP68 LED Strip Light SIDEVIEW NEON FLEX



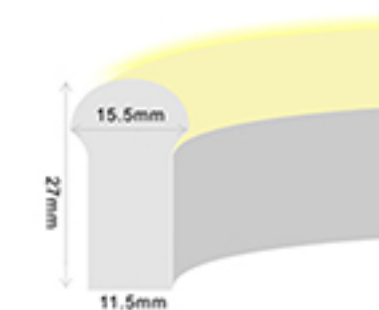
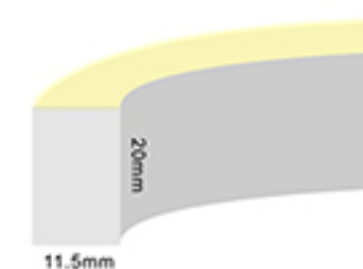
COLOR TEMPERATURE

WATT OPTIONAL 12 W/m

LUMINOUS FLUX 350 lm/m

F15A

F21A



LIGHT SIDE

MAX LENGTH 10 m

IP RATING IP68

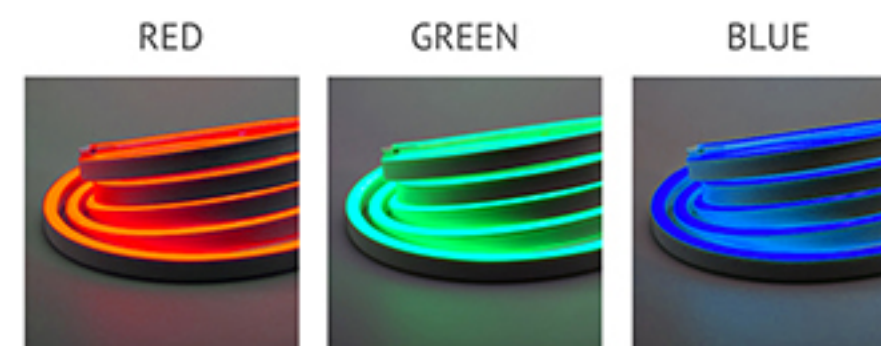
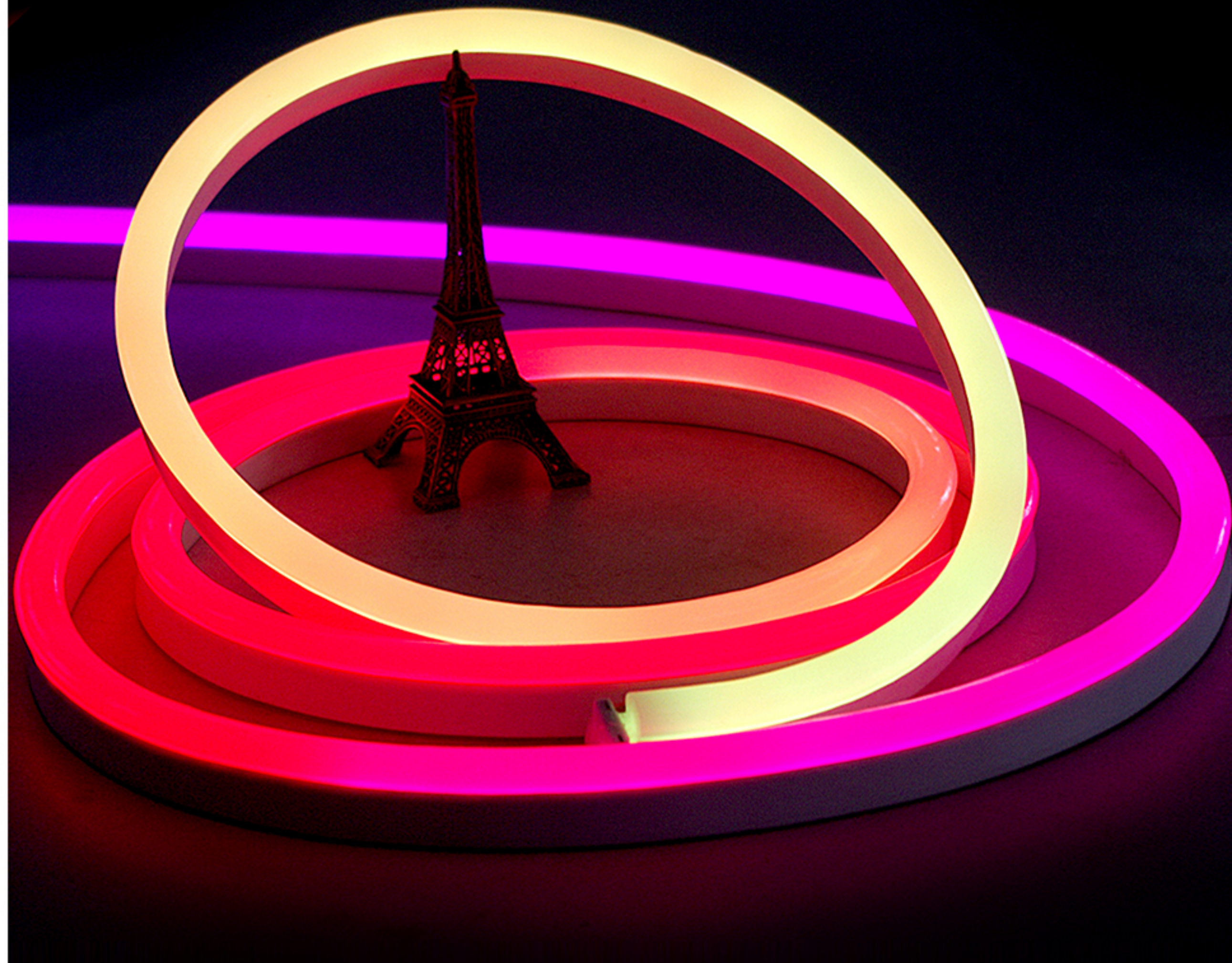
OPERATING TEMP -30 °C to 45 °C

CONTROL (for RGB Color) DMX

CONTROL (for Single Color) DMX / 1-10V

SUPPLY VOLTAGE 24VDC

Bending IP68 LED Strip Light PIXEL NEON FLEX



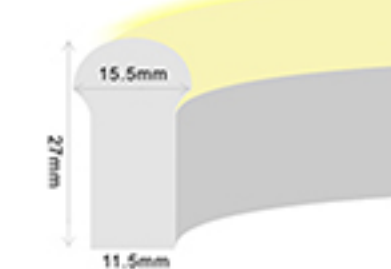
COLOR TEMPERATURE

WATT OPTIONAL 12 W/m

LUMINOUS FLUX 350 lm/m

F15DMX

F12DMX



LIGHT SIDE

MAX LENGTH 10 m

IP RATING IP68

OPERATING TEMP -30 °C to 45 °C

CONTROL DMX


SUPPLY VOLTAGE 24VDC


LIGHTING DECODER





DECODER


DALI Interface

PRODUCT	DIMENSION	INPUT	CHANNEL	OUTPUT CURRENT	POWER
 DL8001	47W x 160L x 22H mm.	DC12-24V	1 CH	10A/1CH	120 - 240 W
SURROUNDING TEMP		FREQUENCY	AC INPUT	PEAK CURRENT	IP
-20 °C to 50 °C		500 Hz	220 V	10A	IP40

PRODUCT	DIMENSION	INPUT	CHANNEL	OUTPUT CURRENT	POWER
 DL8002	47W x 160L x 22H mm.	DC12-24V	2 CH	6A/1CH	120 - 240 W
SURROUNDING TEMP		FREQUENCY	AC INPUT	PEAK CURRENT	IP
-20 °C to 50 °C		500 Hz	220 V	10A	IP40

PRODUCT	DIMENSION	INPUT	CHANNEL	OUTPUT CURRENT	POWER
 DL8003	47W x 160L x 22H mm.	DC12-24V	3 CH	4A/1CH	120 - 240 W
SURROUNDING TEMP		FREQUENCY	AC INPUT	PEAK CURRENT	IP
-20 °C to 50 °C		500 Hz	220 V	12A	IP40


PRODUCT	DIMENSION	INPUT	CHANNEL	OUTPUT CURRENT	POWER
 DL8009-350	47W x 160L x 22H mm.	DC12-24V	1 CH	350 mA	120 - 240 W
SURROUNDING TEMP		FREQUENCY	AC INPUT	PEAK CURRENT	IP
-20 °C to 50 °C		500 Hz	220 V	350 mA	IP40


PRODUCT	DIMENSION	INPUT	CHANNEL	OUTPUT CURRENT	POWER
 DL8003-700	47W x 160L x 22H mm.	DC12-24V	1 CH	700 mA	120 - 240 W
SURROUNDING TEMP		FREQUENCY	AC INPUT	PEAK CURRENT	IP
-20 °C to 50 °C		500 Hz	220 V	700 mA	IP40





DECODER


DMX Interface


PRODUCT	DIMENSION	INPUT	CHANNEL	OUTPUT CURRENT	POWER
 DM8031-12/24	47W x 160L x 22H mm.	DC12-24V	1 CH	12A	MAX 288 W
SIGNAL	SURROUNDING TEMP	FREQUENCY	PEAK CURRENT	IP	
DMX-512/1990	0 °C to 70 °C	5000 Hz	12A	IP40	


PRODUCT	DIMENSION	INPUT	CHANNEL	OUTPUT CURRENT	POWER
 DE8006-12/24	47W x 160L x 22H mm.	DC12-24V	3 CH	4A/1CH	MAX 288 W
SIGNAL	SURROUNDING TEMP	FREQUENCY	PEAK CURRENT	IP	
DMX-512/1990	0 °C to 70 °C	5000 Hz	12A	IP40	

PRODUCT	DIMENSION	INPUT	CHANNEL	OUTPUT CURRENT	POWER
 DE8032-12/24	47W x 160L x 22H mm.	DC12-24V	4 CH	3A/1CH	MAX 288 W
SIGNAL	SURROUNDING TEMP	FREQUENCY	PEAK CURRENT	IP	
DMX-512/1990	0 °C to 70 °C	5000 Hz	12A	IP40	


PRODUCT	DIMENSION	INPUT	CHANNEL	OUTPUT CURRENT	POWER
 DE8012-12/24	130W x 250L x 24.2H mm.	DC12-24V	12 CH	4A/1CH	MAX 1152
SIGNAL	SURROUNDING TEMP	FREQUENCY	PEAK CURRENT	IP	
DMX-512/1990	0 °C to 70 °C	5000 Hz	48A	IP40	


PRODUCT	DIMENSION	INPUT	CHANNEL	OUTPUT CURRENT	POWER
 DE8009-350	47W x 160L x 22H mm.	DC12-48V	1 CH	350 mA	12W
	SIGNAL	SURROUNDING TEMP	FREQUENCY	PEAK CURRENT	IP
	DMX-512/1990	0 °C to 70 °C	5000 Hz	350 mA	IP40

PRODUCT	DIMENSION	INPUT	CHANNEL	OUTPUT CURRENT	POWER
 DE8009-500	47W x 160L x 22H mm.	DC12-48V	1 CH	500 mA	24W
	SIGNAL	SURROUNDING TEMP	FREQUENCY	PEAK CURRENT	IP
	DMX-512/1990	0 °C to 70 °C	5000 Hz	10A	IP40


PRODUCT	DIMENSION	INPUT	CHANNEL	OUTPUT CURRENT	POWER
 DE8009-700	47W x 160L x 22H mm.	DC12-48V	1 CH	700 mA	36W
	SIGNAL	SURROUNDING TEMP	FREQUENCY	PEAK CURRENT	IP
	DMX-512/1990	0 °C to 70 °C	5000 Hz	12A	IP40


DMX Amplifier / Splitter


PRODUCT	DIMENSION	INPUT	CHANNEL	LOST OUT	POWER
 RE2501	47W x 160L x 22H mm.	DC12-24V	1 CH (Repeater)	> 1000V	1.5W
	SURROUNDING TEMP	CONTROL MODE	IP		
	0 °C to 70 °C	DMX 512 Signal / 1990	IP40		


PRODUCT	DIMENSION	INPUT	CHANNEL	LOST OUT	POWER
 RE2000	90W x 160L x 30H mm.	AV100-240V	2 CH (Splitter)	> 1000V	1.5W
	SURROUNDING TEMP	CONTROL MODE	IP		
	0 °C to 70 °C	DMX 512 Signal	IP40		



PRODUCT	DIMENSION	INPUT	CHANNEL	OUTPUT CURRENT	POWER
 DM9108-12/24	47W x 160L x 22H mm.	DC12-24V	1 CH	10 A	240 W
SURROUNDING TEMP	FREQUENCY	AC INPUT	PEAK CURRENT	IP	
-20 °C to 70 °C	1000 Hz	20-220 V	10A	IP40	

PRODUCT	DIMENSION	INPUT	CHANNEL	OUTPUT CURRENT	POWER
 DM9109-350	47W x 160L x 22H mm.	DC12-48V	1 CH	350 mA	12 W
SURROUNDING TEMP	FREQUENCY	AC INPUT	PEAK CURRENT	IP	
-20 °C to 70 °C	1000 Hz	20-220 V	350mA	IP40	


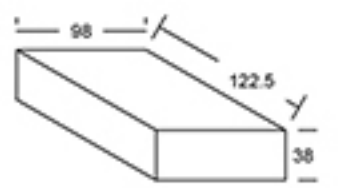
PRODUCT	DIMENSION	INPUT	CHANNEL	OUTPUT CURRENT	POWER
 DM9109-500	47W x 160L x 22H mm.	DC12-48V	1 CH	500 mA	36 W
SURROUNDING TEMP	FREQUENCY	AC INPUT	PEAK CURRENT	IP	
-20 °C to 70 °C	1000 Hz	20-220 V	500mA	IP40	

PRODUCT	DIMENSION	INPUT	CHANNEL	OUTPUT CURRENT	POWER
 DM9109-700	47W x 160L x 22H mm.	DC12-48V	1 CH	700 mA	60 W
SURROUNDING TEMP	FREQUENCY	AC INPUT	PEAK CURRENT	IP	
-20 °C to 70 °C	1000 Hz	20-220 V	700 mA	IP40	

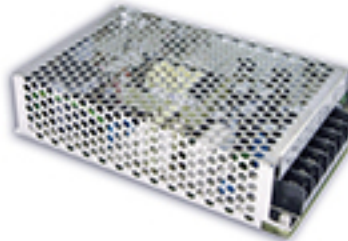

DECODER

TRIAC Interface

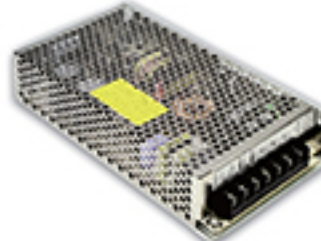
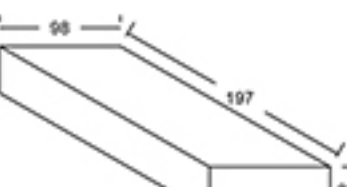


PRODUCT	DIMENSION	DC VOLTAGE	RATED CURRENT	RATED POWER
	 98 mm. x 122.5 mm. x 38 mm.	24 V	0 - 2.2 A	52.8 W
		VOLTAGE ADJ. RANGE		AC CURRENT
		21.6 - 26.4 V	230 VAC	


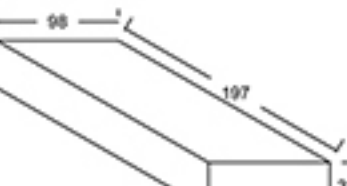
LRS-50-24

PRODUCT	DIMENSION	DC VOLTAGE	RATED CURRENT	RATED POWER
	 97 mm. x 152.5 mm. x 38 mm.	24 V	4.5 A	108 W
		VOLTAGE ADJ. RANGE		AC CURRENT
		22.8 - 26.4 V	230 VAC	

NES-100-24

PRODUCT	DIMENSION	DC VOLTAGE	RATED CURRENT	RATED POWER
	 98 mm. x 197 mm. x 38 mm.	24 V	6.5 A	156 W
		VOLTAGE ADJ. RANGE		AC CURRENT
		22.8 - 27.6 V	230 VAC	

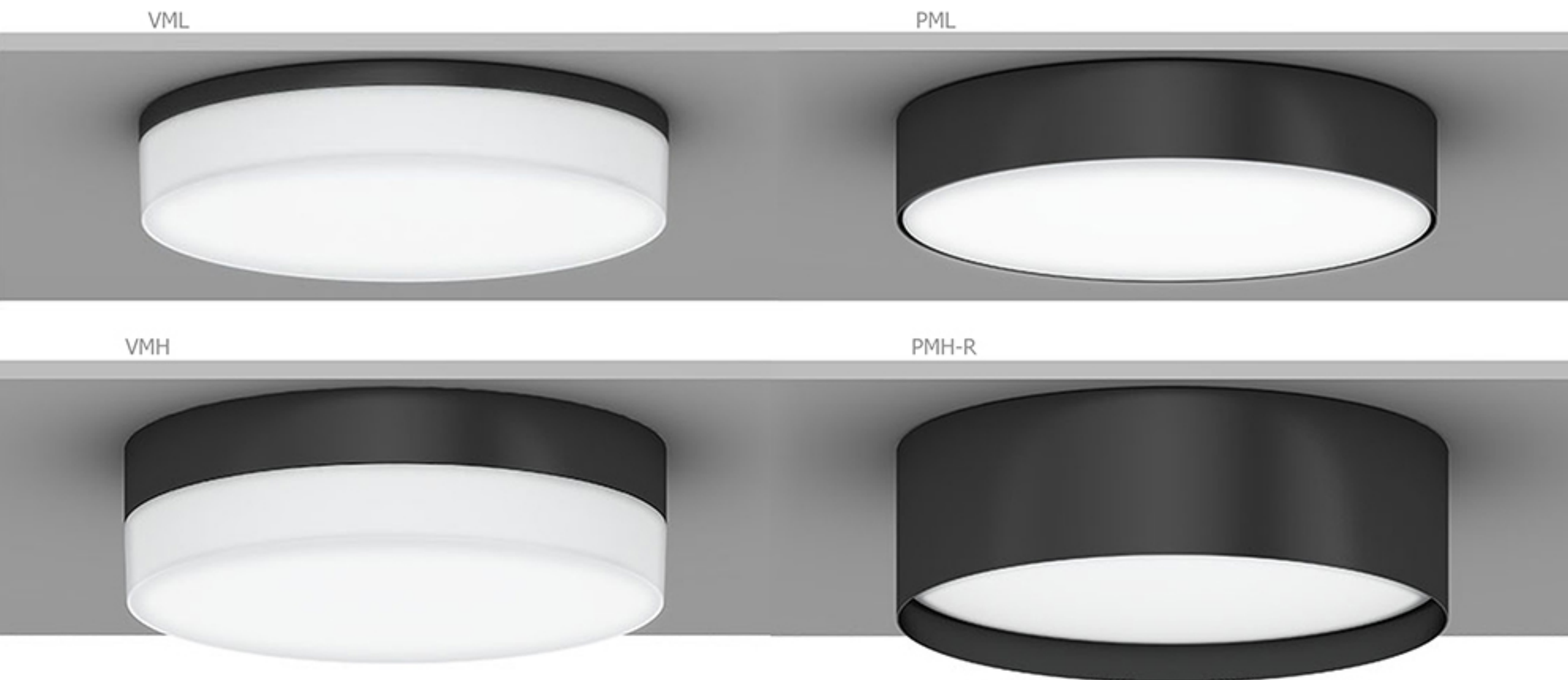
NES-150-24

PRODUCT	DIMENSION	DC VOLTAGE	RATED CURRENT	RATED POWER
	 98 mm. x 197 mm. x 38 mm.	24 V	8.8 A	211 W
		VOLTAGE ADJ. RANGE		AC CURRENT
		20 - 26.4 V	230 VAC	

NES-200-24

POWER SUPPLY

NEKO
LIGHTING AG



PRODUCT CODE	DIMENSION	COLOR	BEAM ANGLE	CCT	LED POWER	LUMEN
VML			FLOOD	3000K	18W	1800lm
				2700K	25W	2500lm
PML			FLOOD	3000K	18W	1800lm
				2700K	25W	2500lm
VML			FLOOD	3000K	18W	1800lm
				2700K	25W	2500lm
PMH-R			FLOOD	3000K	18W	1800lm
				2700K	25W	2500lm

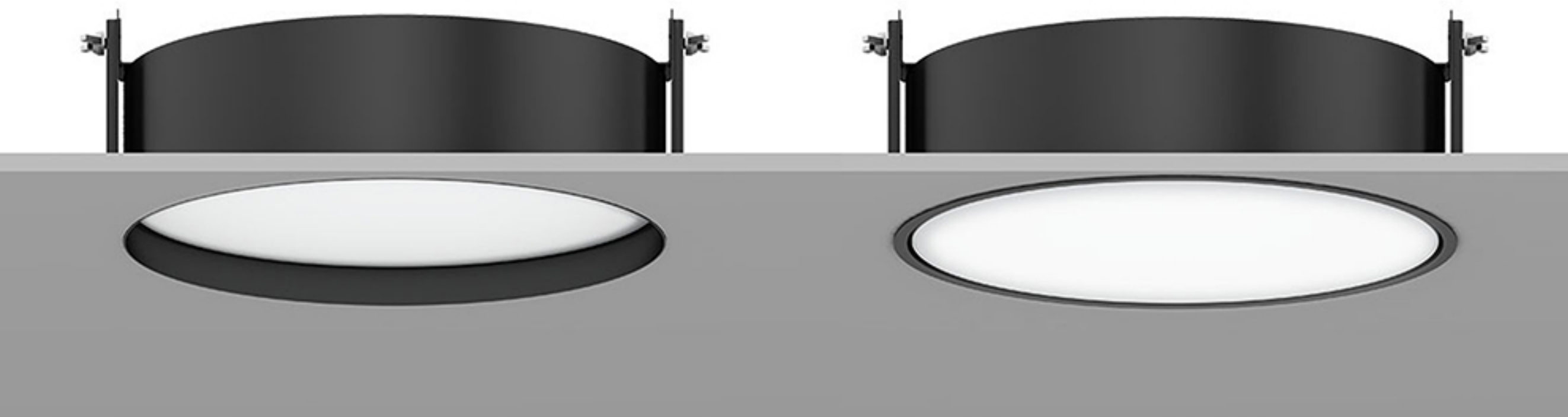
INFORMATION	LIGHT OPTIC COVER	LED DRIVER	INPUT VOLTAGE
	Satin Diffuser / Micro-prismatic optional	On-Off / Phase Dim / 1-10V Dim / DALI Dim	500 mA / 700mA

NEKO_{MOON}



VTH

PTH



PTH-R

PFH

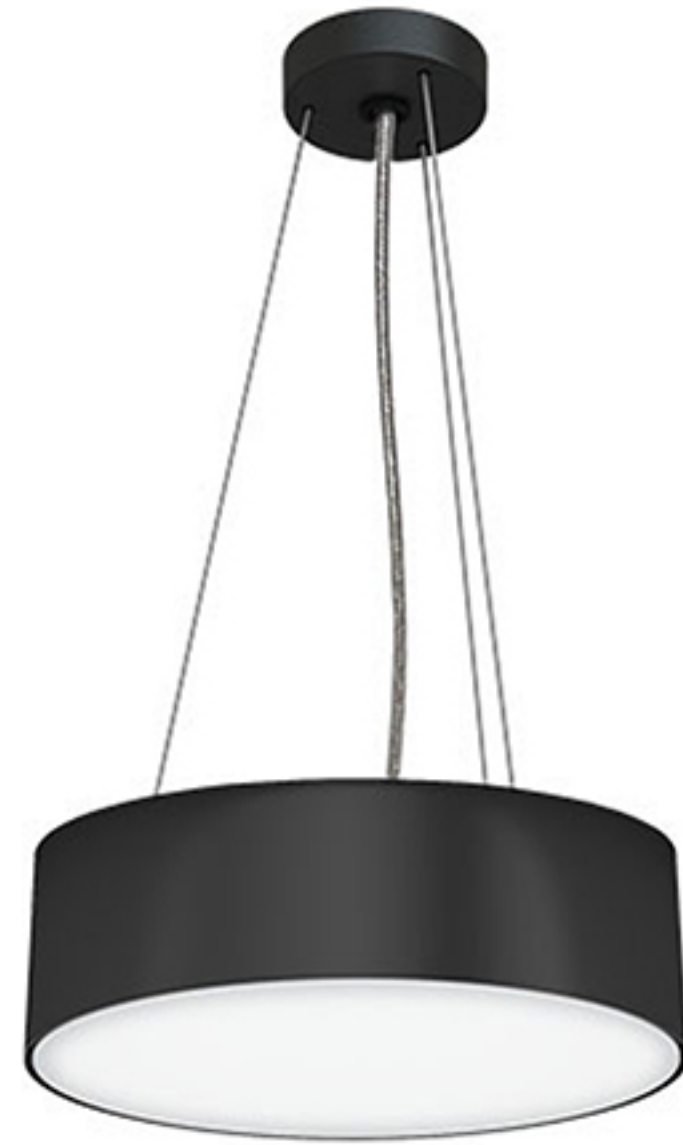
PRODUCT CODE	DIMENSION	COLOR	BEAM ANGLE	CCT	LED POWER	LUMEN
VTH			FLOOD	3000K	18W	1800lm
				2700K	25W	2500lm
PTH			FLOOD	3000K	18W	1800lm
				2700K	25W	2500lm
PTH-R			FLOOD	3000K	18W	1800lm
				2700K	25W	2500lm
PFH			FLOOD	3000K	18W	1800lm
				2700K	25W	2500lm

INFORMATION	LIGHT OPTIC COVER	LED DRIVER	INPUT VOLTAGE
	Satin Diffuser / Micro-prismatic optional	On-Off / Phase Dim / 1-10V Dim / DALI Dim	500 mA / 700mA

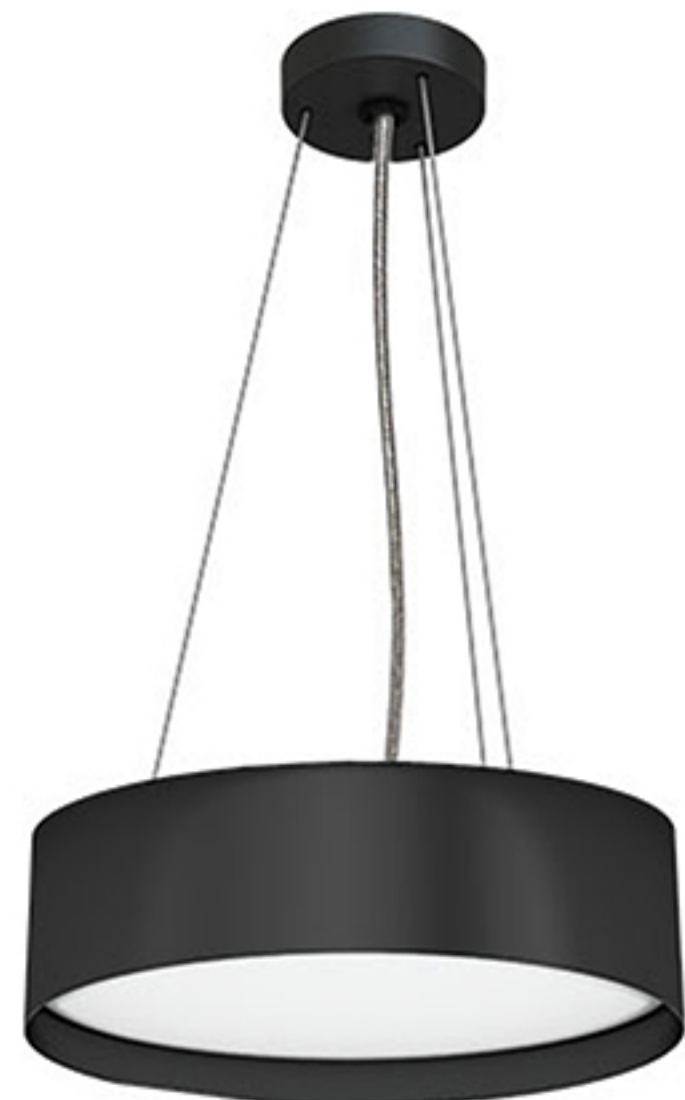
NEKO_{MOON} RECESSED



PK1-VH



PK1-PH



PK1-PH-R

PRODUCT CODE	DIMENSION	COLOR	BEAM ANGLE	CCT	LED POWER	LUMEN
VTH			FLOOD	3000K	18W	1800lm
					25W	2500lm
PTH			FLOOD	3000K	18W	1800lm
					25W	2500lm
PTH-R			FLOOD	3000K	18W	1800lm
					25W	2500lm

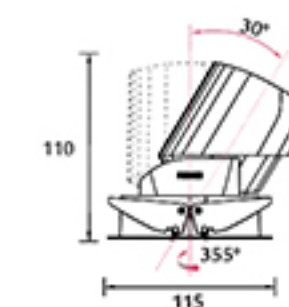
INFORMATION	LIGHT OPTIC COVER	LED DRIVER	INPUT VOLTAGE
	Satin Diffuser / Micro-prismatic optional	On-Off / Phase Dim / 1-10V Dim / DALI Dim	500 mA / 700mA

NEKO MOON PENDANT



A100

PRODUCT	DIMENSION	BEAM ANGLE	CCT	CRI	LED POWER	LUMEN
---------	-----------	------------	-----	-----	-----------	-------



20°	2700K	80	13W	1030 lm
40°	3000K			
4000K				
60°	5000K			

A100-13W

IP	OPERATING TEMP	LAMP LIFE	LED DRIVER	INPUT VOLTAGE
----	----------------	-----------	------------	---------------

20	-25° to 40° C	50000 hrs.@25° C	On-Off / 1-10V Dim DALI Dim	350 mA
----	---------------	------------------	--------------------------------	--------

Specular



Matt



White




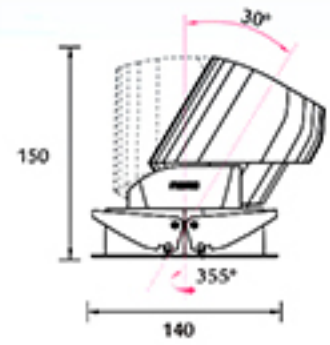
REFLECTOR


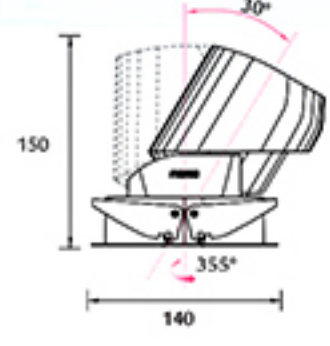
NEKO Adjustable A100



A125

NEKO Adjustable A125

PRODUCT	DIMENSION	BEAM ANGLE	CCT	CRI	LED POWER	LUMEN
 A125-18W		20°	2700K	80	18W	1500 lm
		30°	3000K			
		4000K				
		60°	5000K			
IP	OPERATING TEMP	LAMP LIFE	LED DRIVER	INPUT VOLTAGE		
20	-25° to 40° C	50000 hrs.@25° C	On-Off / 1-10V Dim DALI Dim	500 mA		

PRODUCT	DIMENSION	BEAM ANGLE	CCT	CRI	LED POWER	LUMEN
 A125-26W		20°	2700K	80	26W	2300 lm
		30°	3000K			
		4000K				
		60°	5000K			
IP	OPERATING TEMP	LAMP LIFE	LED DRIVER	INPUT VOLTAGE		
20	-25° to 40° C	50000 hrs.@25° C	On-Off / 1-10V Dim DALI Dim	700 mA		

Specular



Matt



White




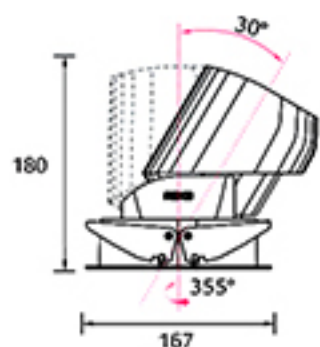
REFLECTOR


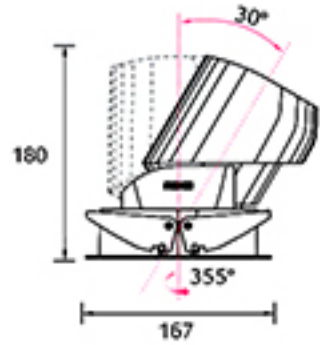


A150



NEKO Adjustable A150

PRODUCT	DIMENSION	BEAM ANGLE	CCT	CRI	LED POWER	LUMEN
 A150-26W		20°	2700K	80	26W	2200 lm
		30°	3000K			
		4000K				
		60°	5000K			
IP	OPERATING TEMP	LAMP LIFE	LED DRIVER	INPUT VOLTAGE		
20	-25° to 40° C	50000 hrs.@25° C	On-Off / 1-10V Dim DALI Dim	700 mA		

PRODUCT	DIMENSION	BEAM ANGLE	CCT	CRI	LED POWER	LUMEN
 A150-38W		20°	2700K	80	38W	3200 lm
		30°	3000K			
		4000K				
		60°	5000K			
IP	OPERATING TEMP	LAMP LIFE	LED DRIVER	INPUT VOLTAGE		
20	-25° to 40° C	50000 hrs.@25° C	On-Off / 1-10V Dim DALI Dim	1050 mA		

Specular



Matt



White


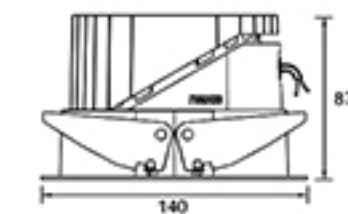


REFLECTOR




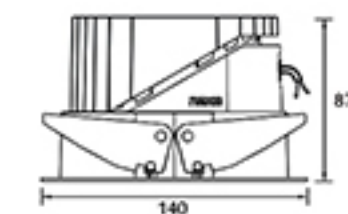
EF125

NEKO EASY-FIXED EF125

PRODUCT	DIMENSION	BEAM ANGLE	CCT	CRI	LED POWER	LUMEN
		60°	2700K	80	13W	1000 lm
			3000K			
			4000K			
			5000K			

EF125-13W

IP	OPERATING TEMP	LAMP LIFE	LED DRIVER	INPUT VOLTAGE
20	-25° to 40° C	50000 hrs.@25° C	On-Off / 1-10V Dim DALI Dim	350 mA

PRODUCT	DIMENSION	BEAM ANGLE	CCT	CRI	LED POWER	LUMEN
		60°	2700K	80	18W	1500 lm
			3000K			
			4000K			
			5000K			

EF125-18W

IP	OPERATING TEMP	LAMP LIFE	LED DRIVER	INPUT VOLTAGE
20	-25° to 40° C	50000 hrs.@25° C	On-Off / 1-10V Dim DALI Dim	500 mA


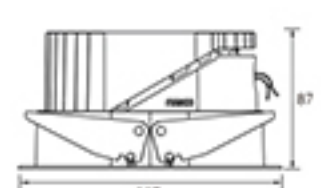


REFLECTOR




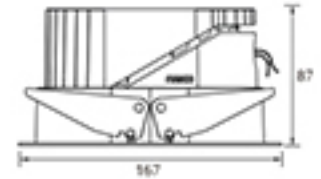
EF150

NEKO EASY-FIXED EF150

PRODUCT	DIMENSION	BEAM ANGLE	CCT	CRI	LED POWER	LUMEN
		60°	2700K	80	18W	1500 lm
			3000K			
			4000K			
			5000K			

EF150-18W

IP	OPERATING TEMP	LAMP LIFE	LED DRIVER	INPUT VOLTAGE
20	-25° to 40° C	50000 hrs.@25° C	On-Off / 1-10V Dim DALI Dim	500 mA

PRODUCT	DIMENSION	BEAM ANGLE	CCT	CRI	LED POWER	LUMEN
		60°	2700K	80	26W	2200 lm
			3000K			
			4000K			
			5000K			

EF150-26W

IP	OPERATING TEMP	LAMP LIFE	LED DRIVER	INPUT VOLTAGE
20	-25° to 40° C	50000 hrs.@25° C	On-Off / 1-10V Dim DALI Dim	700 mA

Specular



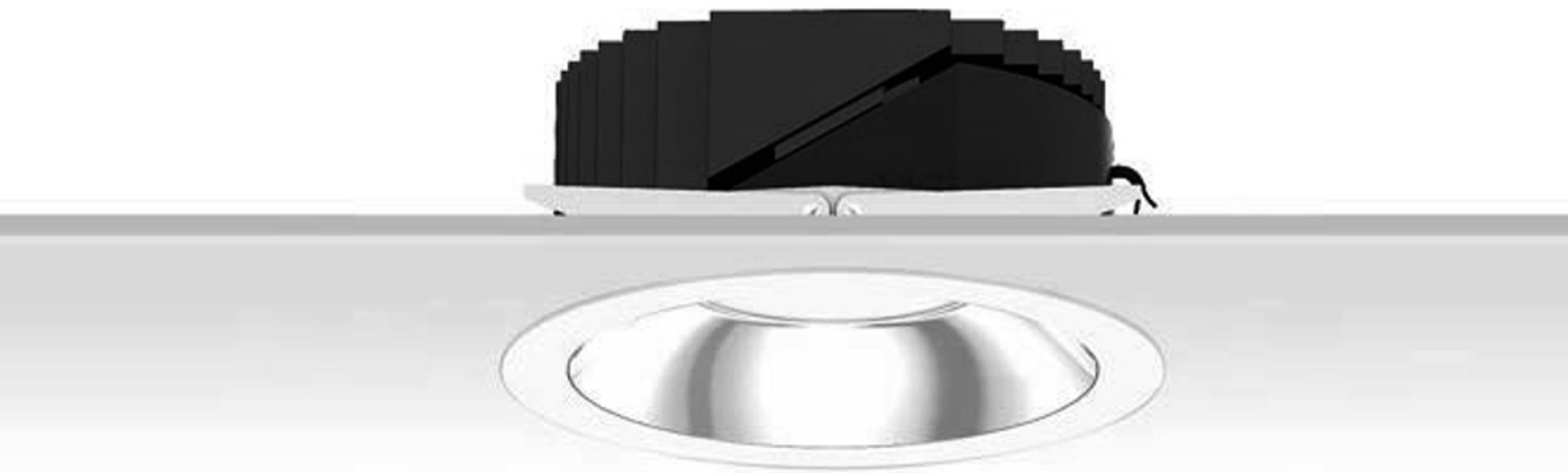
Matt



White




REFLECTOR




EF205L

NEKO EASY-FIXED EF205L

PRODUCT	DIMENSION	BEAM ANGLE	CCT	CRI	LED POWER	LUMEN
		70°	2700K	80	26W	2200 lm
			3000K			
			4000K			
			5000K			

EF205L-26W

IP	OPERATING TEMP	LAMP LIFE	LED DRIVER	INPUT VOLTAGE
20	-25° to 40° C	50000 hrs.@25° C	On-Off / 1-10V Dim DALI Dim	700 mA

PRODUCT	DIMENSION	BEAM ANGLE	CCT	CRI	LED POWER	LUMEN
		70°	2700K	80	38W	3200 lm
			3000K			
			4000K			
			5000K			

EF205L-38W

IP	OPERATING TEMP	LAMP LIFE	LED DRIVER	INPUT VOLTAGE
20	-25° to 40° C	50000 hrs.@25° C	On-Off / 1-10V Dim DALI Dim	1050 mA

Specular



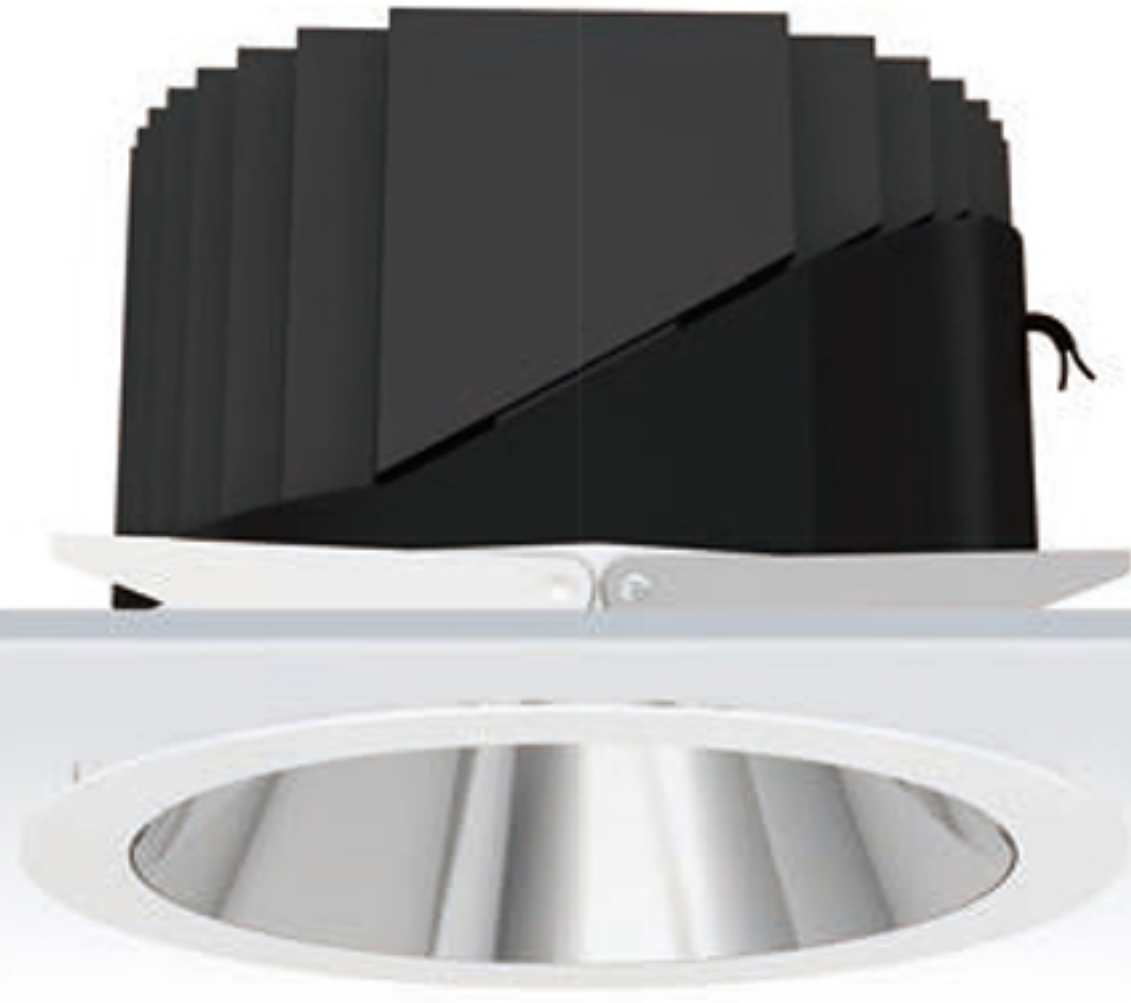
Matt



White


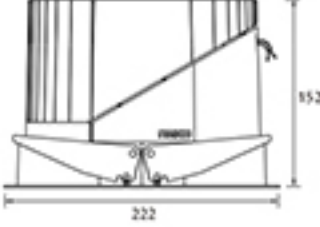


REFLECTOR




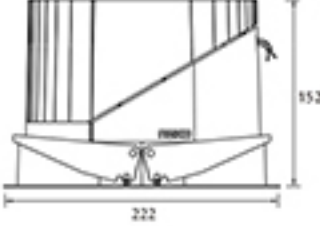
EF205H

NEKO EASY-FIXED EF205H

PRODUCT	DIMENSION	BEAM ANGLE	CCT	CRI	LED POWER	LUMEN
		50°	2700K	80	38W	3200 lm
			3000K			
			4000K			
			5000K			

EF205L-26W

IP	OPERATING TEMP	LAMP LIFE	LED DRIVER	INPUT VOLTAGE
20	-25° to 40° C	50000 hrs.@25° C	On-Off / 1-10V Dim DALI Dim	1050 mA

PRODUCT	DIMENSION	BEAM ANGLE	CCT	CRI	LED POWER	LUMEN
		50°	2700K	80	52W	4600 lm
			3000K			
			4000K			
			5000K			

EF205L-38W

IP	OPERATING TEMP	LAMP LIFE	LED DRIVER	INPUT VOLTAGE
20	-25° to 40° C	50000 hrs.@25° C	On-Off / 1-10V Dim DALI Dim	1400 mA

Specular



Matt



White



REFLECTOR






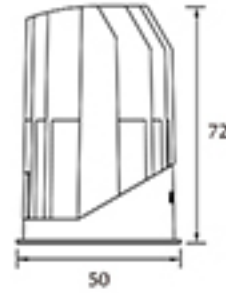
M1



M2

NEKO_{MODULE}

PRODUCT	DIMENSION	BEAM ANGLE	CCT	CRI	LED POWER	LUMEN
 M1-6W		20°	2700K	80	26W	2200 lm
		30°	3000K			
		4000K				
		5000K				
IP	OPERATING TEMP	LAMP LIFE	LED DRIVER	INPUT VOLTAGE		
20	-25° to 40° C	50000 hrs.@25° C	On-Off / 1-10V Dim DALI Dim	700 mA		

PRODUCT	DIMENSION	BEAM ANGLE	CCT	CRI	LED POWER	LUMEN
 M2-9W		20°	2700K	80	38W	3200 lm
		30°	3000K			
		4000K				
		5000K				
IP	OPERATING TEMP	LAMP LIFE	LED DRIVER	INPUT VOLTAGE		
20	-25° to 40° C	50000 hrs.@25° C	On-Off / 1-10V Dim DALI Dim	1050 mA		

REFLECTOR



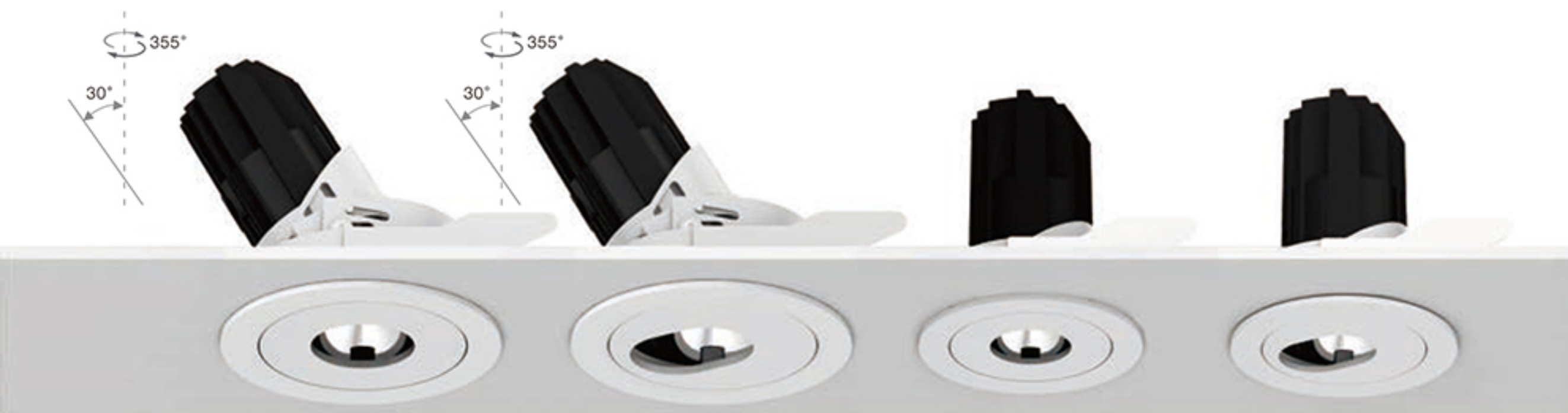


TF1

TF2

TA1

TA2



TA4

TA3

TF4

TF3

NEKO MODULE TRIM

MODULE TRIM



TA 1
25 degree adjustable



TA 2
adjustable and 355 degree swivel



TA 3
adjustable and 355 degree swivel



TA 4
adjustable and 355 degree swivel



TF 1
clean and slim design, fixed



TF 2
with darklight reflector, fixed

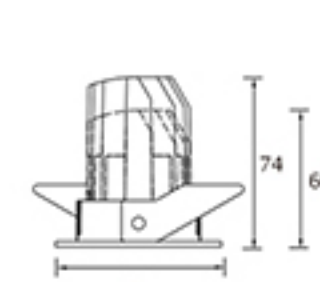
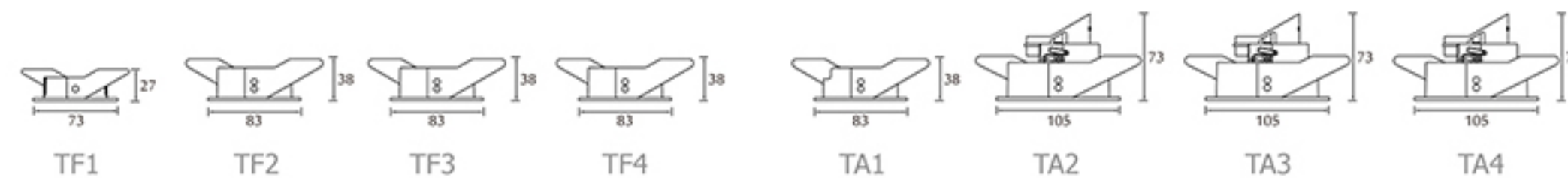


TF 3
with darklight reflector, fixed

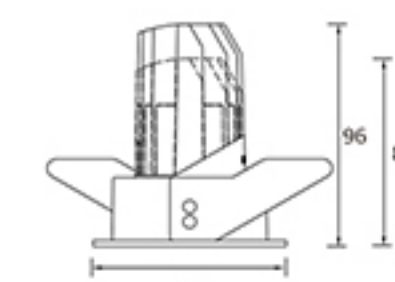


TF 4
with darklight reflector, fixed

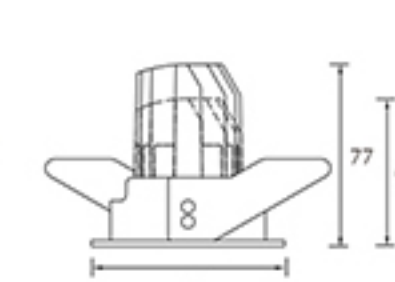
DIMENSION



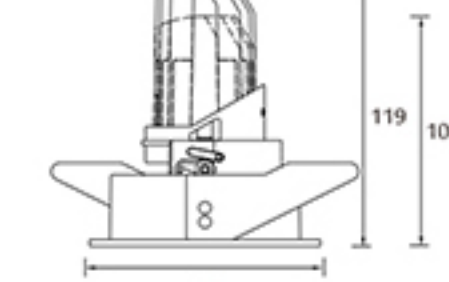
TF1



TF2/ TF3/TF4




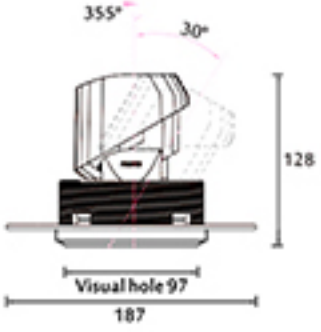



TA1



TA2/ TA3/TA4




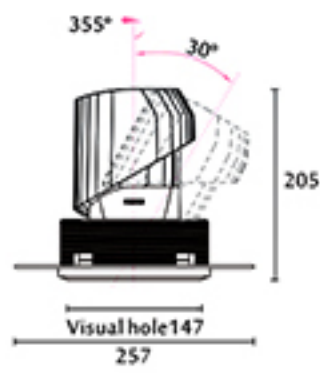
TA123


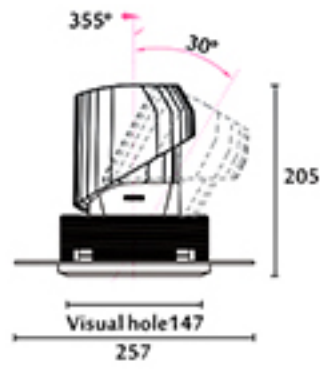
PRODUCT	DIMENSION	BEAM ANGLE	CCT	CRI	LED POWER	LUMEN
 A100-13W		20°	2700K	80	13W	1000 lm
		40°	3000K			
		60°	4000K			
			5000K			
REFLECTOR						
IP	OPERATING TEMP	LAMP LIFE	LED DRIVER	INPUT VOLTAGE		
20	-25° to 40° C	50000 hrs.@25° C	On-Off / 1-10V Dim DALI Dim	350 mA		
REFLECTOR						
	Specular 	Matt 	White 			

NEKO Trimless TA123



NEKO Trimless TA174

PRODUCT	DIMENSION	BEAM ANGLE	CCT	CRI	LED POWER	LUMEN
 TA123-26W		20°	2700K	80	26W	2800 lm
		40°	3000K			
		60°	4000K			
			5000K			
IP	OPERATING TEMP	LAMP LIFE	LED DRIVER	INPUT VOLTAGE		
20	-25° to 40° C	50000 hrs.@25° C	On-Off / 1-10V Dim DALI Dim	500 mA		

PRODUCT	DIMENSION	BEAM ANGLE	CCT	CRI	LED POWER	LUMEN
 TA123-38W		20°	2700K	80	38W	4200 lm
		40°	3000K			
		60°	4000K			
			5000K			
IP	OPERATING TEMP	LAMP LIFE	LED DRIVER	INPUT VOLTAGE		
20	-25° to 40° C	50000 hrs.@25° C	On-Off / 1-10V Dim DALI Dim	700 mA		

Specular



Matt




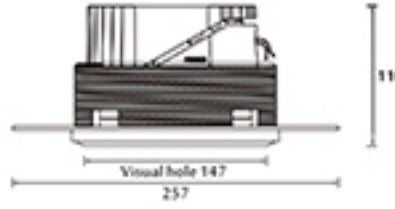
White



REFLECTOR


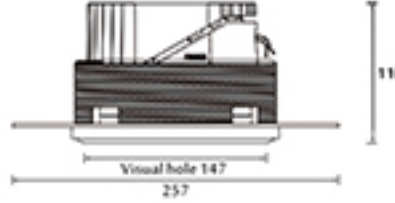


NEKO Trimless TF174

PRODUCT	DIMENSION	BEAM ANGLE	CCT	CRI	LED POWER	LUMEN
		60°	2700K	80	18W	2100 lm
			3000K			
			4000K			
			5000K			

TA123-18W

IP	OPERATING TEMP	LAMP LIFE	LED DRIVER	INPUT VOLTAGE
20	-25° to 40° C	50000 hrs.@25° C	On-Off / 1-10V Dim DALI Dim	500 mA

PRODUCT	DIMENSION	BEAM ANGLE	CCT	CRI	LED POWER	LUMEN
		60°	2700K	80	26W	2600 lm
			3000K			
			4000K			
			5000K			

TA123-26W

IP	OPERATING TEMP	LAMP LIFE	LED DRIVER	INPUT VOLTAGE
20	-25° to 40° C	50000 hrs.@25° C	On-Off / 1-10V Dim DALI Dim	700 mA

Specular



Matt



White


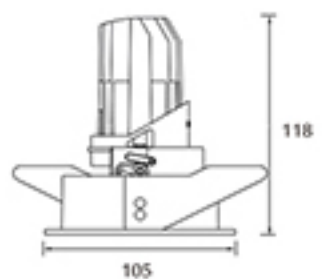





REFLECTOR




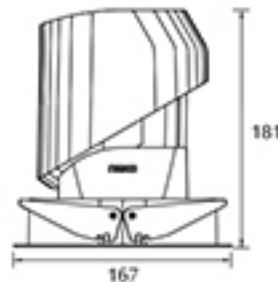
WW90


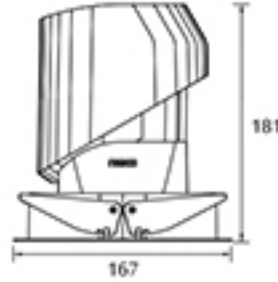
NEKO WALL WASHER WW90

PRODUCT	DIMENSION	BEAM ANGLE	CCT	CRI	LED POWER	LUMEN
 WW90-9W		Asymmetric optical distribution	3000K 4000K	80	9W	800 lm
		IP	OPERATING TEMP	LAMP LIFE	LED DRIVER	INPUT VOLTAGE
		20	-25° to 40° C	50000 hrs.@25° C	On-Off / Phase Dim / 1-10V Dim / DALI Dim	350 mA
REFLECTOR		Specular 	Matt 	White 		



NEKO WALL WASHER WW150


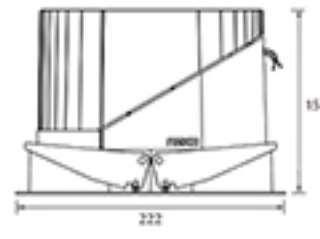
PRODUCT	DIMENSION	BEAM ANGLE	CCT	CRI	LED POWER	LUMEN
 WW150-26W		Asymmetric optical distribution	3000K	83	26W	2200 lm
			4000K			
IP	OPERATING TEMP	LAMP LIFE	LED DRIVER	INPUT VOLTAGE		
20	-25° to 40° C	50000 hrs.@25° C	On-Off / PHEASE DIM / 1-10V Dim / DALI Dim	700 mA		


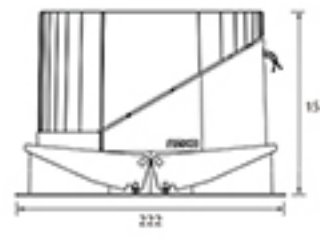
PRODUCT	DIMENSION	BEAM ANGLE	CCT	CRI	LED POWER	LUMEN
 WW150-38W		Asymmetric optical distribution	3000K	83	38W	3200 lm
			4000K			
IP	OPERATING TEMP	LAMP LIFE	LED DRIVER	INPUT VOLTAGE		
20	-25° to 40° C	50000 hrs.@25° C	On-Off / PHEASE DIM / 1-10V Dim / DALI Dim	1050 mA		








NEKO WALL WASHER WW205


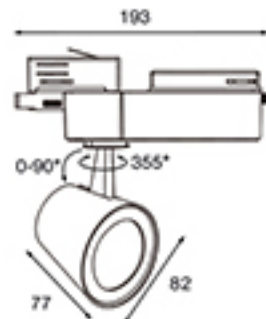


PRODUCT	DIMENSION	BEAM ANGLE	CCT	CRI	LED POWER	LUMEN
 WW205-26W		Asymmetric optical distribution	3000K	83	26W	2200 lm
			4000K			
IP OPERATING TEMP LAMP LIFE LED DRIVER INPUT VOLTAGE						
20	-25° to 40° C	50000 hrs.@25° C	On-Off / PHEASE DIM / 1-10V Dim / DALI Dim		700 mA	

PRODUCT	DIMENSION	BEAM ANGLE	CCT	CRI	LED POWER	LUMEN
 WW205-38W		Asymmetric optical distribution	3000K	83	38W	3200 lm
			4000K			
IP OPERATING TEMP LAMP LIFE LED DRIVER INPUT VOLTAGE						
20	-25° to 40° C	50000 hrs.@25° C	On-Off / PHEASE DIM / 1-10V Dim / DALI Dim		1050 mA	

REFLECTOR	Specular	Matt	White
			




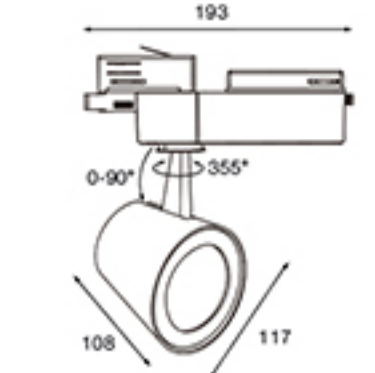


BO S

PRODUCT	DIMENSION	BEAM ANGLE	CCT	CRI	LED POWER	LUMEN
 BO S -13W		12°	3000K	90	13W	1100 lm
		22°	4000K			
		40°				
		IP	OPERATING TEMP	LAMP LIFE	LED DRIVER	INPUT VOLTAGE
		20	-25° to 40° C	50000 hrs.@25° C	On-Off / 1-10V Dim DALI Dim	350 mA
COLOR						
ACCESSORY						

NEKO_{BO S}



BO M


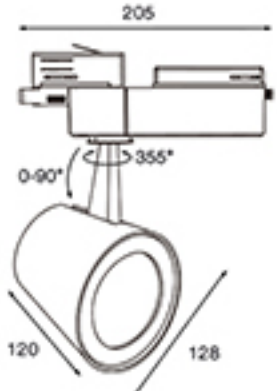


PRODUCT	DIMENSION	BEAM ANGLE	CCT	CRI	LED POWER	LUMEN
 BO M -25W		12°	3000K	90	25W	2200 lm
		22°	4000K			
		40°				
		IP	OPERATING TEMP	LAMP LIFE	LED DRIVER	INPUT VOLTAGE
		20	-25° to 40° C	50000 hrs.@25° C	On-Off / 1-10V Dim DALI Dim	700 mA
COLOR						
ACCESSORY						

NEKO_{BO M}

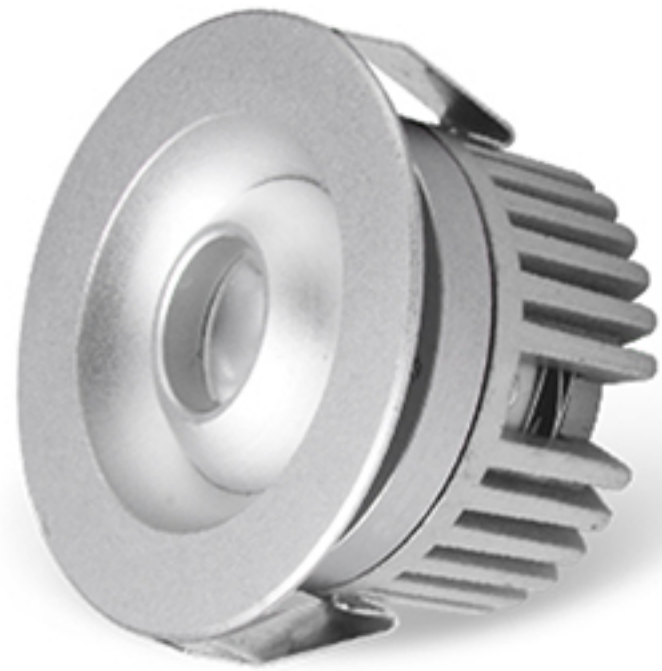


BO L

NEKO_{BO L}

PRODUCT	DIMENSION	BEAM ANGLE	CCT	CRI	LED POWER	LUMEN
 BO L -38W		12°	3000K	90	38W	3000 lm
		22°	4000K			
		40°				
IP	OPERATING TEMP	LAMP LIFE	LED DRIVER	INPUT VOLTAGE		
20	-25° to 40° C	50000 hrs.@25° C	On-Off / 1-10V Dim DALI Dim	1050 mA		
COLOR						
ACCESSORY						

DISPLAY LIGHTING




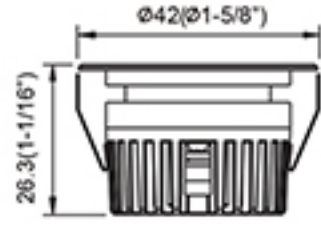
SWOT-R


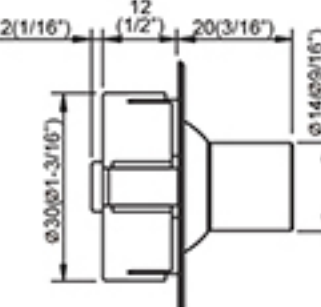


SWOT-RB

DISPLAY LIGHTING

SWOT Series

PRODUCT	DIMENSION	BEAM ANGLE	CCT	CRI	LED POWER	LUMEN
 SWOT-R		25°	2700K	80	13W	1030 lm
			3000K			
			4000K			
			5000K			
IP		OPERATING TEMP	LAMP LIFE	LED DRIVER	INPUT VOLTAGE	
20		-25° to 40° C	50000 hrs.@25° C	On-Off / 1-10V Dim DALI Dim	350 mA	

PRODUCT	DIMENSION	BEAM ANGLE	CCT	CRI	LED POWER	LUMEN
 SWOT-RB		15°	2700K	80	13W	1030 lm
			3000K			
			4000K			
			5000K			
IP		OPERATING TEMP	LAMP LIFE	LED DRIVER	INPUT VOLTAGE	
20		-25° to 40° C	40000 hrs.@25° C	On-Off / 1-10V Dim DALI Dim	350 mA	

Aluminum



Black






COLOR



DISPLAY LIGHTING

BAMBO


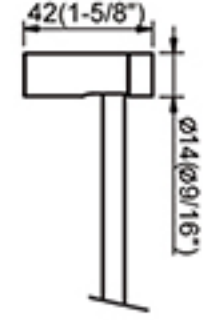
PRODUCT	DIMENSION	BEAM ANGLE	CCT	CRI	LED POWER	LUMEN
 BAMBO		15°	2700K	80	1.8W	90 lm
		25°	3000K 4000K 5000K			
		IP	OPERATING TEMP	LAMP LIFE	LED DRIVER	INPUT VOLTAGE
		20	-25° to 40° C	50000 hrs.@25° C	On-Off / 1-10V Dim DALI Dim	500 mA
SINGLE MODULE						
MODULE SET						
COLOR	<div style="display: flex; justify-content: space-around;"> <div style="text-align: center;"> <p>Aluminum</p>  </div> <div style="text-align: center;"> <p>Black</p>  </div> </div>					

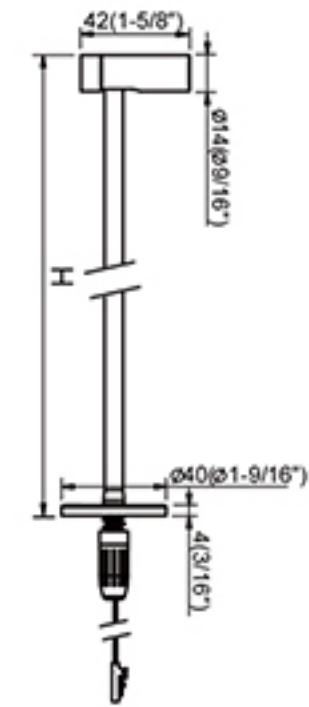


POLE

DISPLAY LIGHTING

POLE

PRODUCT	DIMENSION	BEAM ANGLE	CCT	CRI	LED POWER	LUMEN
 POLE		15°	2700K	80	1.25W	85 lm
		25°	3000K			
			4000K			
			5000K			
	IP	OPERATING TEMP	LAMP LIFE	LED DRIVER	INPUT VOLTAGE	
	20	-25° to 40° C	50000 hrs.@25° C	On-Off / 1-10V Dim DALI Dim	350 mA	






The pole height is adjustable.
 (The height can be adjusted
 between 35mm(1-3/8") and
 370mm(14-9/16"))

MODULE SET

COLOR	Aluminum	Black
		



PRODUCT	DIMENSION	BEAM ANGLE	CCT	CRI	LED POWER	LUMEN
 TRACK		15°	2700K	80	2W	110 lm
		25°	3000K 4000K 5000K			
		IP	OPERATING TEMP	LAMP LIFE	LED DRIVER	INPUT VOLTAGE
		20	-25° to 40° C	50000 hrs.@25° C	On-Off / 1-10V Dim DALI Dim	24VDC
		MODULE SET				
		COLOR	Aluminum 	Black 		

DISPLAY LIGHTING


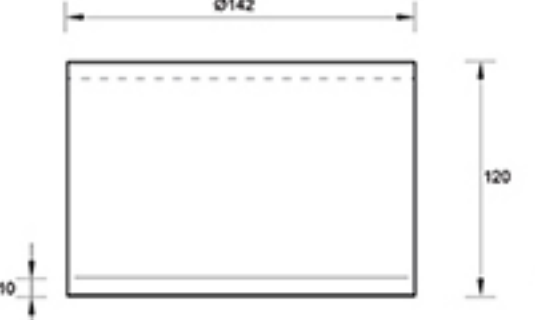
TRACK



JEWELRY LIGHTING





JEWELRY LIGHTING

SHINING ROTATION

PRODUCT	DIMENSION	BEAM ANGLE	CCT	CRI	LED POWER
 SHINING 6 APPLIQUE		10°	6 leds 5500K + 3 leds RGB	80	27W
		25°			
		40°			
		60°			
		60°			
IP	OPERATING TEMP	FINISHING	LED DRIVER	INPUT VOLTAGE	
20	-25° to 40° C	Matt black, White, Grey, RAL on request	On-Off	350 mA	

PRODUCT	DIMENSION	BEAM ANGLE	CCT	CRI	LED POWER
 SHINING 6		10°	6 leds 5500K + 3 leds RGB	80	27W
		25°			
		40°			
		60°			
		60°			
IP	OPERATING TEMP	FINISHING	LED DRIVER	INPUT VOLTAGE	
20	-25° to 40° C	Matt black, White, Grey, RAL on request	On-Off	350 mA	


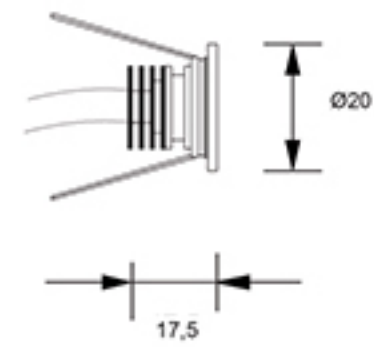
PRODUCT	DIMENSION	BEAM ANGLE	CCT	CRI	LED POWER
 SHINING 12		10°	12 leds 5500K + 6 leds RGB	80	27W
		25°			
		40°			
		60°			
		60°			
IP	OPERATING TEMP	FINISHING	LED DRIVER	INPUT VOLTAGE	
20	-25° to 40° C	Matt black, White, Grey, RAL on request	On-Off	350 mA	




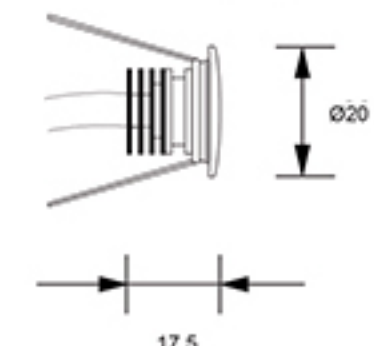
NIKE



NIKE SQUARE

PRODUCT	DIMENSION	BEAM ANGLE	CCT	CRI	LED POWER
 NIKE		10°	2700K	90	1W
		25°	3000K		
		45°	5500K		
		55°	RGB		
		80°			

IP	OPERATING TEMP	FINISHING	LED DRIVER	INPUT VOLTAGE
40	-25° to 40° C	Black, Grey	On-Off	350 mA

PRODUCT	DIMENSION	BEAM ANGLE	CCT	CRI	LED POWER
 NIKE SQUARE		10°	2700K	90	3W
		25°	3000K		
		45°	5500K		
		55°	RGB		
		80°			

IP	OPERATING TEMP	FINISHING	LED DRIVER	INPUT VOLTAGE
40	-25° to 40° C	Black, Grey	On-Off	350 mA

JEWELRY LIGHTING


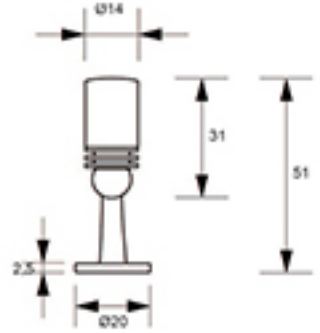
NIKE


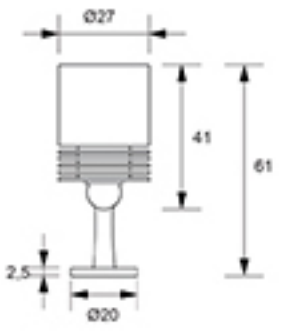


SWIVEL



SWIVEL 3

PRODUCT	DIMENSION	BEAM ANGLE	CCT	CRI	LED POWER
 SWIVEL		10°	2700K	90	1W
		25°	3000K		
		45°	5500K		
		55°	RGB		
		80°			
IP	OPERATING TEMP	FINISHING	LED DRIVER	INPUT VOLTAGE	
40	-25° to 40° C	Black, Grey	On-Off	350 mA	

PRODUCT	DIMENSION	BEAM ANGLE	CCT	CRI	LED POWER
 SWIVEL 3		10°	2700K	90	3W
		25°	3000K		
		35°	5500K		
		42x22° (OVAL)	RGB		
IP	OPERATING TEMP	FINISHING	LED DRIVER	INPUT VOLTAGE	
40	-25° to 40° C	Black, Grey	On-Off	350 mA	

JEWELRY LIGHTING

SWIVEL

SIRAS STRETCH FABRIC



SIRAS STRETCH FABRICS

SIRAS Stretch Fabric For Ceiling





SIRAS STRETCH FABRICS

TRANSLUCENT

Translucent 64%



04010 04011 04011C 04012 04028 04029



04013 04013A 04018 04020 04073

Color

MATT

Translucent 0%



01010 01011 01016 01020 01040

Color

LACQUER

Translucent 0%



02011 02012 02013 02014 02015 02016 02021 02022



02023 02024 02032 02033 02041 02050 02051 02052



02053 02061 02062 02063 02064 02066 02071 02072



02073 02074 02075 02076 02081 02082 02083 02090



02091 02092

Color

OTHER

Custom Screen Printing / Sandy / Eyelet / Satin

